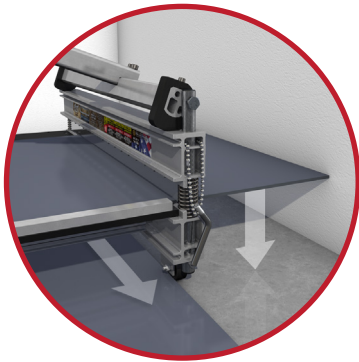


26" Magnum Soft Flooring Cutter

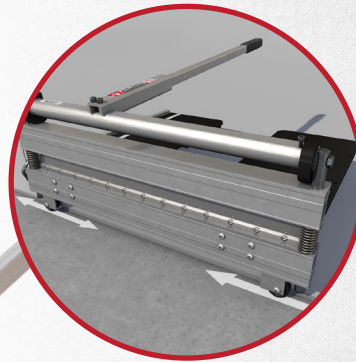
526-RCT26 | EDI 29828

NO NOISE. NO ELECTRICITY. NO DUST.

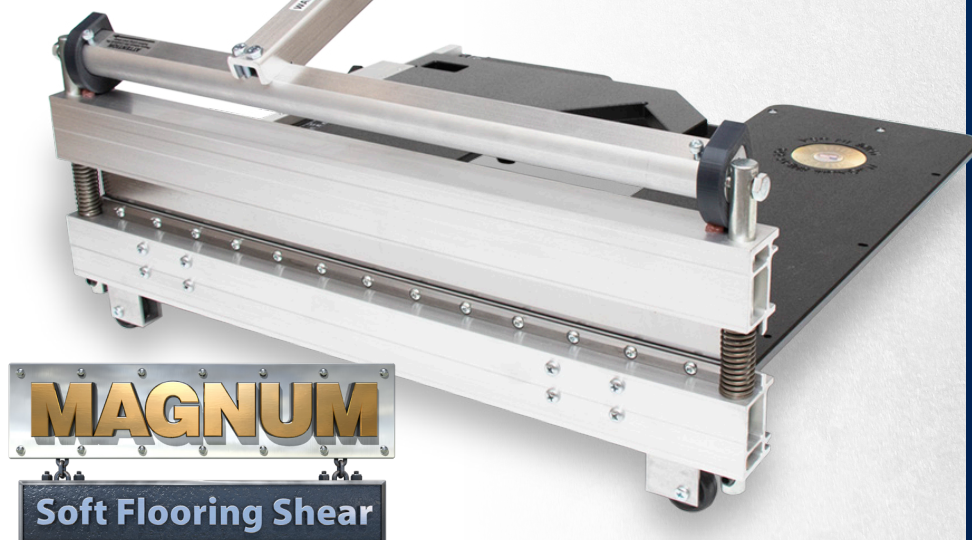
- Cut a square factory-clean edge on carpet, vinyl, and rubber tile
- Fast – self-measuring wall gauge caster system
- Accurate – cut within $\frac{1}{16}$ " (1.6mm), with built-in ruler and adjustable fence for 45° (up to 18"/457mm wide) and 90° cuts
- Stack up to 5 tiles for faster cutting
- Portable – smooth rollers for transportation on job site
- Blade lasts up to 10,000 cuts
- Built-in self measuring wall gauge
- LED Light kit included for more precise cuts



SELF-MEASURING WALL GAUGE
Slide tile through, make your cut –
product fits perfectly into place



CASTER SYSTEM
Roll the shear
parallel to the wall



MAGNUM

Soft Flooring Shear



BULLET
BY MARSHALLTOWN®

Specifications

MAXIMUM CUT THICKNESS:

1" (25mm)

MAXIMUM CUT WIDTH:

26" (660mm)

REPLACEMENT PARTS:

Blade: 526B / EDI 29831
Bladestop: 869-RP-526 / EDI 29909
Anvil: 854-RP-526 / EDI 29869

45° ANGLE CUT:

On 18" (457mm) wide product

TABLE:

U-Shape Polymer

FENCE:

45/90° angle and repeat cut guide

ABLE TO CUT:

Carpet Tile
VCT, LVT, LVP
WPC, SPC, MLF, Rigid Core
PVC & Rubber Tile
Garage Tile
Ceiling Tile (Cellulose & Mineral Wool)

NET WEIGHT:

39 lbs.

SHIPPING DIMENSIONS:

30" x 25" x 6"
(762 x 635 x 152mm)



www.MARSHALLTOWN.com



Phone 641.753.0127 | Toll Free 800.888.0127 | Fax 800.477.6341 | Fax 641.753.6341