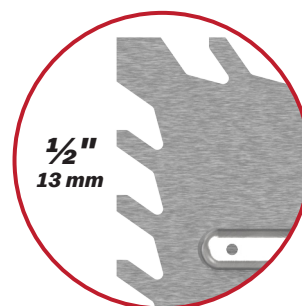
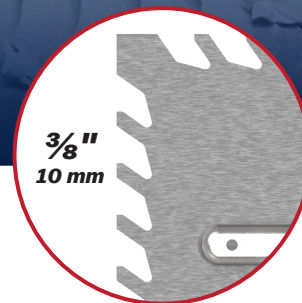
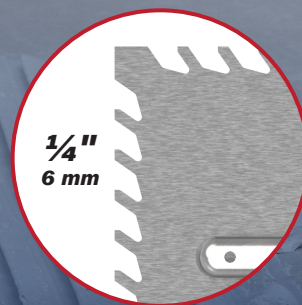


# LayFlat™ NOTCHED TROWEL

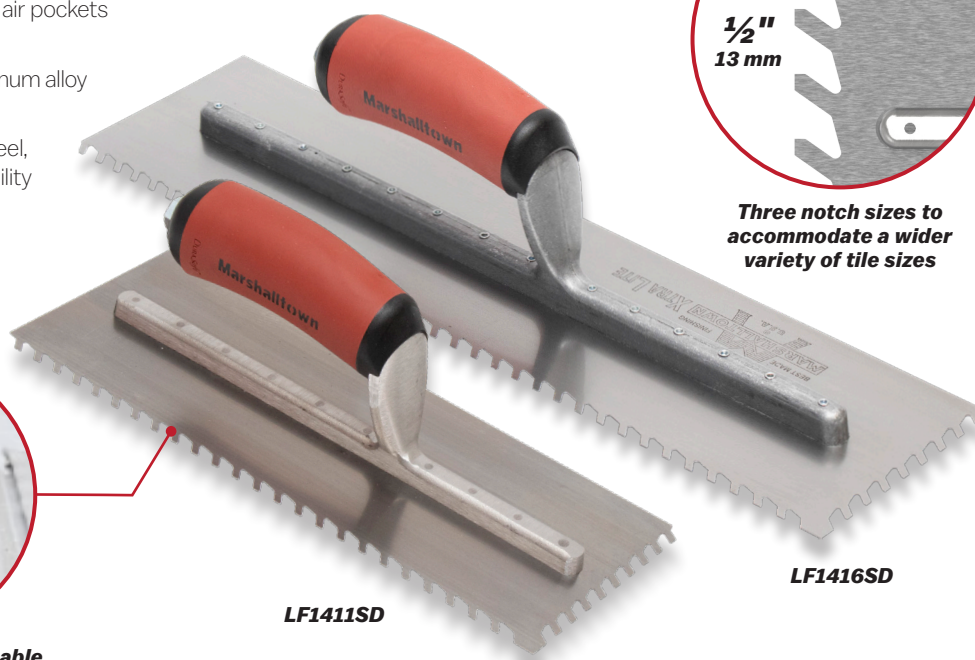
- Designed to provide superior coverage and adhesion for medium to large format tile applications
- Wave-shaped notches create ridges that provide an overlapping and more easily collapsible action of thinset mortar
- Unique notch geometry helps to eliminate air pockets between the tile and underlayment
- Superior hold strength between the aluminum alloy Xtralite® mounting and blade
- Resilient DuraSoft® handle provides soft feel, reduces fatigue and offers excellent durability
- Each LayFlat™ trowel comes with a merchandisable product hanger



Three notch sizes to accommodate a wider variety of tile sizes



Overlapping and collapsible thinset action



EDI	Part#	Description	Notch Size-in	Notch Size-mm	Blade Size-in	Blade Size-mm	Inner/Outer
29550	LF1411SD	1/4" Carbon Steel LayFlat™ Notched Trowel - DuraSoft® Handle	1/4	6	11 x 4 1/2	279 x 114	1/6
29552	LF3811SD	3/8" Carbon Steel LayFlat™ Notched Trowel - DuraSoft® Handle	3/8	10	11 x 4 1/2	279 x 114	1/6
29554	LF1211SD	1/2" Carbon Steel LayFlat™ Notched Trowel - DuraSoft® Handle	1/2	13	11 x 4 1/2	279 x 114	1/6
29556	LF1416SD	1/4" Carbon Steel LayFlat™ Notched Trowel - DuraSoft® Handle	1/4	6	16 x 4	406 x 102	1/4
29558	LF3816SD	3/8" Carbon Steel LayFlat™ Notched Trowel - DuraSoft® Handle	3/8	10	16 x 4	406 x 102	1/4
29560	LF1216SD	1/2" Carbon Steel LayFlat™ Notched Trowel - DuraSoft® Handle	1/2	13	16 x 4	406 x 102	1/4