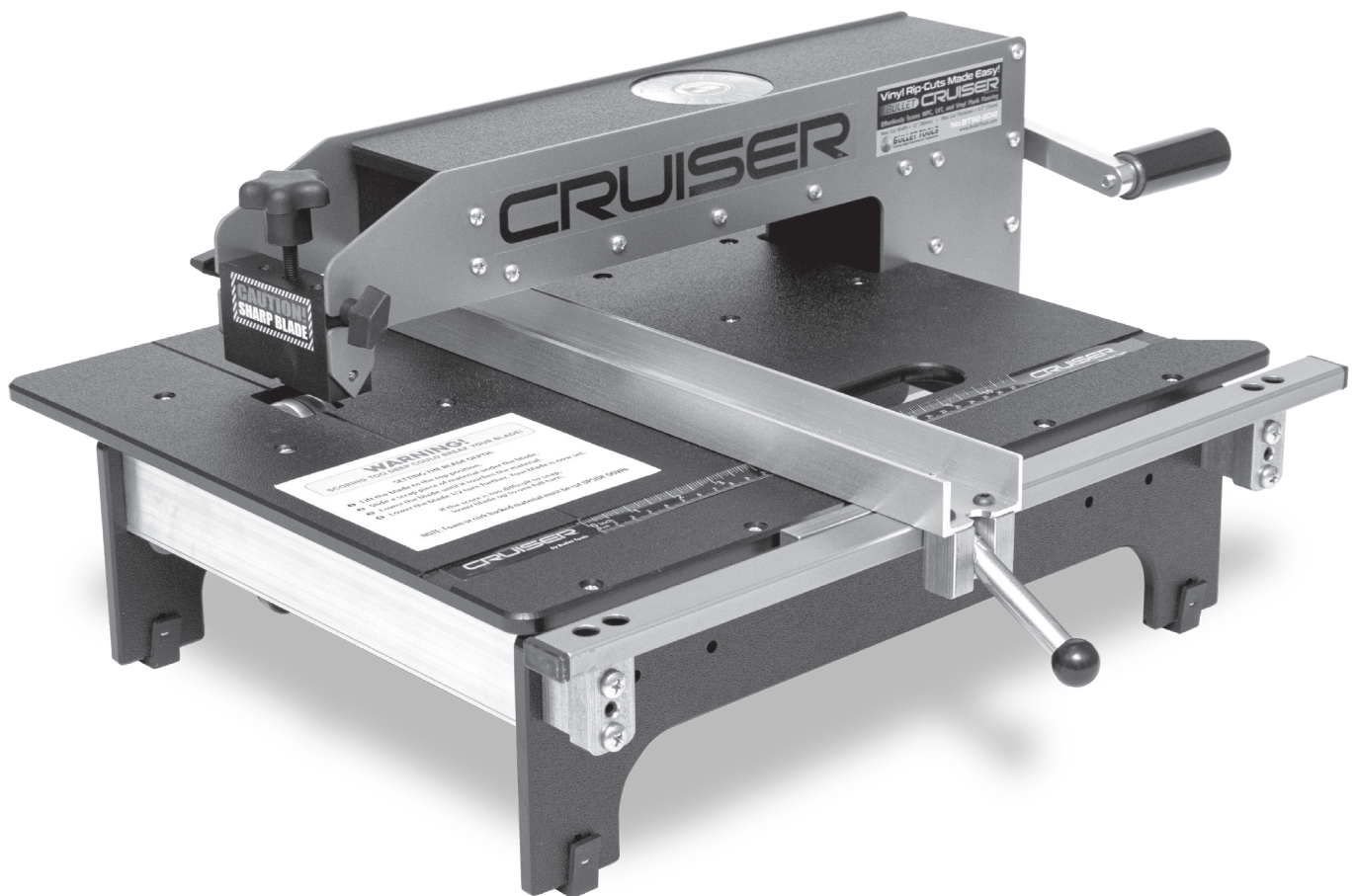


BULLET

BY MARSHALLTOWN®

BULLET CRUISER

Part #BT92-2012 | EDI #29953



104 S. 8th Ave. | Marshalltown, IA
Phone 800-888-0127 / 641-753-0127 | Fax 800-477-6341 / 641-753-6341
www.MARSHALLTOWN.com
WS2641

INTRODUCTION

Thank you for purchasing the Bullet Cruiser by MARSHALLTOWN®. This American-made, innovative product provides you with the best solution for the ever-expanding vinyl plank market, allowing you to make quick, clean, score-and-snap cuts with ease.

Your new Bullet Cruiser includes features such as:

- The ability to cut inside without dust, noise, or electrical cords
- Dual rolling blades that cut cleanly through wear layer for quick and clean snaps to size
- Quick adjust fence and built-in ruler for accurate measurements
- Built-in handle for easy portability
- A storage box to hold spare blades and other flooring tools
- Open throat design for end-cuts, notch-cuts, and cuts on square or rectangular format tiles
- Under-cut blade for fiberglass, jute fiber, foam-backed vinyl plank, linoleum plank, and wood plastic composite flooring

And can cut materials up to ½" (13mm) thick and 12" (305mm) wide, including:

- LVT
- LVP
- WPC
- MLF
- Rigid Core
- Vinyl Plank Flooring

This owner's manual provides the information needed to operate and maintain this Bullet Cruiser. Carefully read and follow all safety and operating instructions in this manual. Ensure every operator of this product reads this manual before operating the unit. The replacement of any part on this product by other than the manufacturer's authorized replacement part may adversely affect the performance, durability, or safety of the product.

Be sure safety precautions are observed. Read and follow all safety and operating instructions in this operator's manual. The manufacturer reserves the right to make changes on or add improvements to its product at any time without prior notice or obligation. The manufacturer reserves the right to decide, upon its sole discretion and at any time, to discontinue this product.

This manual covers the Bullet Cruiser by MARSHALLTOWN®. For technical questions or repair parts, please call MARSHALLTOWN® customer service at 1-800-888-0127 or visit www.MARSHALLTOWN.com.

TABLE OF CONTENTS

Introduction.....	2
Safety Precautions.....	3
Safety Decals	4
Warranty.....	4
Assembly	5
Operation	6
Changing Blades	7
Replacement Parts List.....	8
Parts Breakdown	8-10

SAFETY PRECAUTIONS




• DANGER or WARNING safety signs are located near specific hazards.


• General precautions are listed on CAUTION safety signs.

This notation appears before warnings in the text. It means that the step that follows must be carried out to avoid the possibility of personal injury or death. These warnings are intended to help the technician avoid any potential hazards encountered in the normal service procedures. We strongly recommend that the reader takes advantage of the information provided to prevent personal injury or injury to others.


THE FOLLOWING PRECAUTIONS ARE SUGGESTED TO HELP PREVENT ACCIDENTS. A CAREFUL OPERATOR IS THE BEST OPERATOR. MOST ACCIDENTS CAN BE AVOIDED BY OBSERVING CERTAIN PRECAUTIONS. READ AND TAKE THE FOLLOWING PRECAUTIONS BEFORE OPERATING THIS EQUIPMENT TO HELP PREVENT ACCIDENTS. EQUIPMENT SHOULD BE OPERATED ONLY BY THOSE WHO ARE RESPONSIBLE AND INSTRUCTED TO DO SO.

 CALIFORNIA PROPOSITION 65 WARNING: This product can expose you to chemicals known to the State of California to cause cancer, birth defects, or other reproductive harm.

- Read all operating and maintenance instructions before operating or servicing this product.
- This product is only as safe as its operator. Give complete and undivided attention to the operation of the product.
- Know how to stop this product instantly.

 NEVER operate this product if any components have been removed.

- Always keep inexperienced and unauthorized people away from this product.
- Keep this product in good operational condition. Loose or damaged parts are dangerous.
- Avoid loose clothing that could get caught in moving parts.

 Keep hands and feet away from moving parts.

- Keep all warning, caution, and safety instruction labels in good condition. Replace missing, damaged, or illegible labels.
- Clear the work area around this product to prevent tripping or falling onto it.
- Operate on level ground to prevent this product from flipping over.
- DO NOT OPERATE this product under the influence of alcohol or while taking medication that impairs your reactions.
- Use only factory authorized parts for replacement.
- Wear safety glasses when operating this product.
- Always use caution when replacing the blade in this product.
- Only operate this product with the approved materials. If extreme force is required to cut a material, it may result in personal injury and/or damage to this product.
- Wear proper protective clothing while operating this product, including eye, ear, and clothing.
- Handle all solvents and cleaning agents with care and follow manufacturer's instructions on safety and disposal.

SAFETY DECALS

If your safety decals are damaged, they can be replaced by contacting Customer Service.



R6166

WARRANTY

This product is warranted to the original purchaser only, to be free of defects in material and workmanship under normal use, for one year from purchase date. MARSHALLTOWN® shall without charge for parts and labor, repair or replace such parts which are found to be defective. All transportation charges for replacement parts must be borne by the purchaser.

For warranty service, the product must be delivered, with proof of purchase date, to MARSHALLTOWN®. Contact MARSHALLTOWN® Customer Service to determine the best method of delivering the product that is under warranty. The delivery of the product must be made no later than 30 days after the expiration of the warranty period.

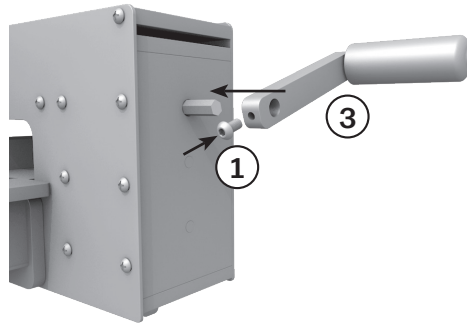
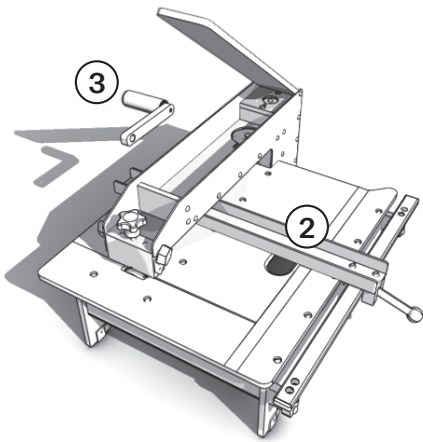
All implied warranties, including those of merchantability and fitness for a particular purpose, are limited to one year from date of purchase by the original retail customer and to the extent permitted by law any and all implied warranties are excluded and disclaimed after the expiration of such period.

Some states do not allow limitations on how long an implied warranty lasts, or the exclusion or limitations of incidental or consequential damages, so the above limitations or exclusions may not apply to you. This warranty gives you specific legal rights, and you may also have other rights, which vary from state to state.

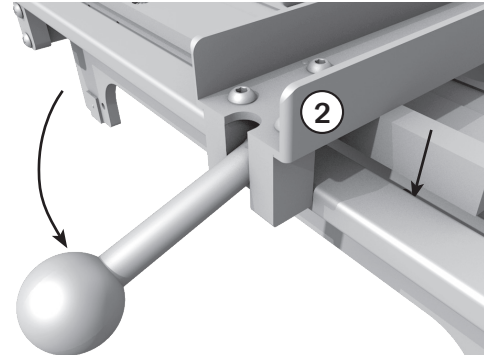
Exclusion from this warranty:

1. All consequential damages, including pickup and delivery of the unit, communication, mileage charges and/or rental of a replacement unit during repairs are not covered under this warranty, or are any loss of income and/or other loss resulting from the failure of the product to function due to a warranty defect.
2. This warranty will not apply when the product becomes inoperative due to misuse, normal wear, neglect, improper maintenance, accident or freight damage; has not been operated and maintained in accordance with the instructions furnished in the Operator's Manual; or has been altered or modified without approval from the factory Service Department.
3. No parts or products are to be returned to the factory without prior written approval from the factory.

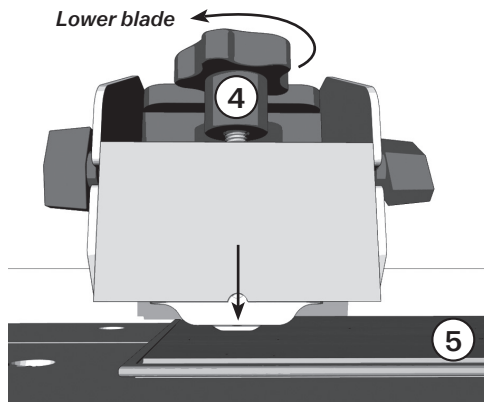
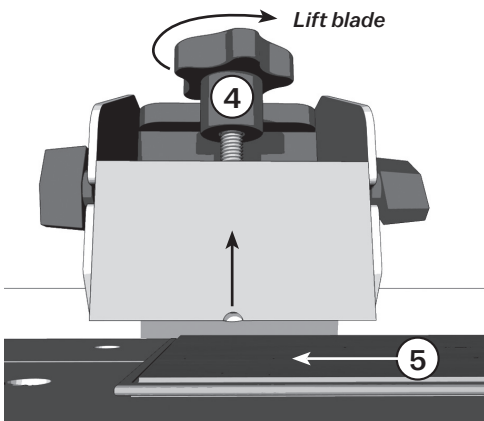
ASSEMBLY



INSTALL DRIVE CRANK (3) (packed inside top storage box) by firmly pressing onto drive shaft and tighten the screw (1).



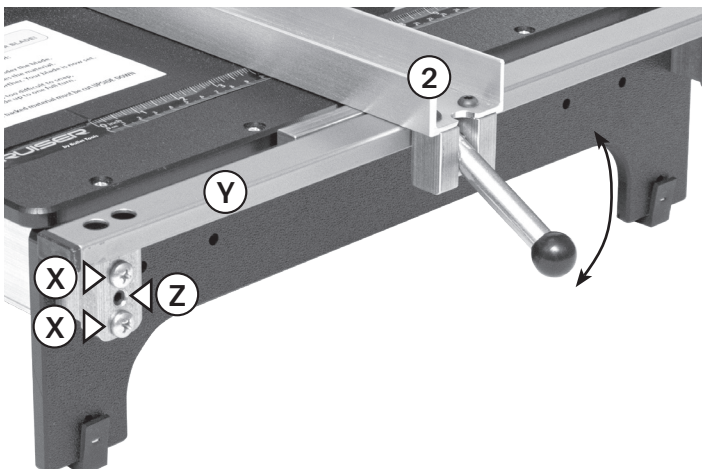
INSTALL FENCE (2) by setting the "T" portion between the steel rail and the plastic table. Press down on lock lever to latch in position.



SETTING BLADE DEPTH

Turn knob (4) and lift the blade to the top position. Slide a scrap piece of material (5) under the blade. Turn knob (4) to lower blade until it touches the material. Lower the blade half turn farther. Your blade is now set.

NOTE: Foam and cork backed material must be cut **UPSIDE-DOWN**



SETTING FENCE POSITION

Lift lock lever to unlatch. Slide fence (2) to desired position. Press lock lever down firmly to latch in place.

SQUARING FENCE POSITION

1. Loosen Phillips screws (X) on ONE SIDE of fence track (Y).
2. Tighten Adjustment Set screw (Z) half turn.
3. Tighten Phillips screws (X).
4. Repeat as needed until fence track (Y) is square with receiver.

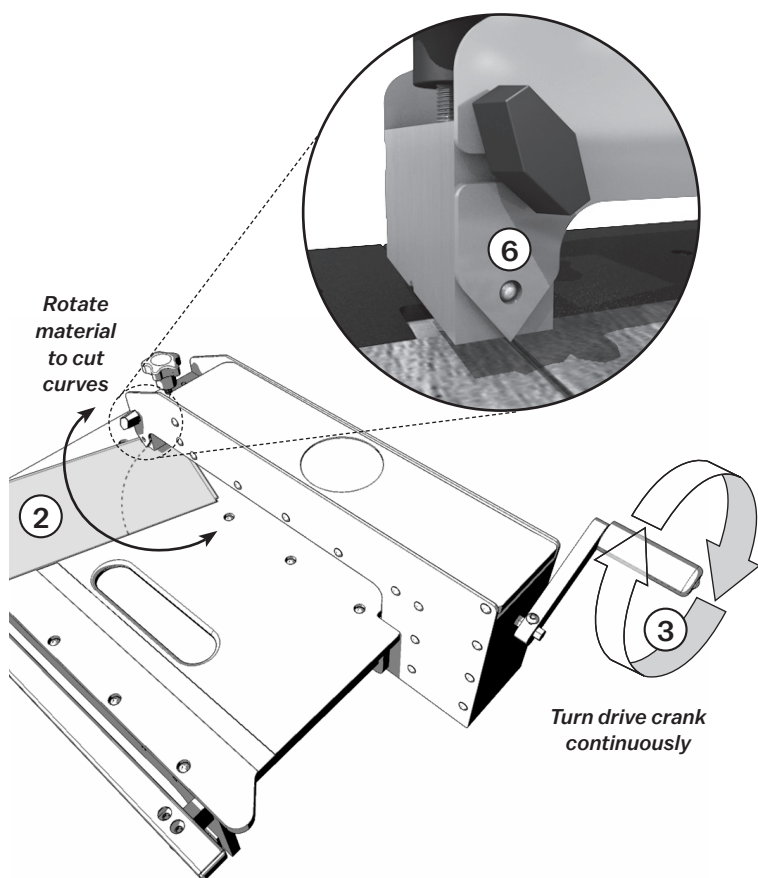
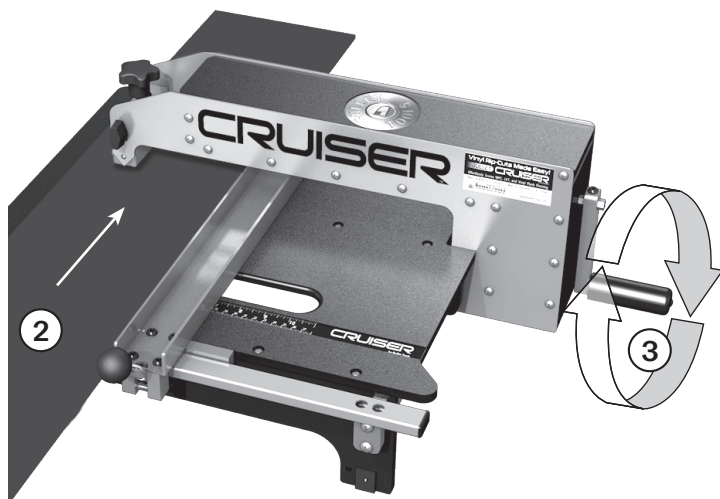
OPERATION

STRAIGHT CUTS

1. Pull up on lock lever and slide fence to the desired width.
2. Push lock lever down to latch the fence in position.
3. Slide LVP or WPC plank against the fence (2), then push it forward under the blade.
4. Gently hold material against the blade and turn the drive crank (4).
5. Continue turning the drive crank until material has been scored completely.
6. Bend the material to snap it along the score line.

CURVED CUTS

1. Set the blade depth.
2. Pull up on the fence lock lever and remove the fence.
3. Draw a line on your material representing the path you plan to cut.
4. Align your line with the arrow indicator (6) on the Cruiser and push firmly under blade.
5. Turn the drive crank and allow the material to be pulled under the blade.
6. Rotate the material as necessary while turning the drive crank to ensure that the score wheel follows your line.
7. Continue turning drive crank until material has been scored completely.
8. Bend the material to snap it along the score line.



CAUTION

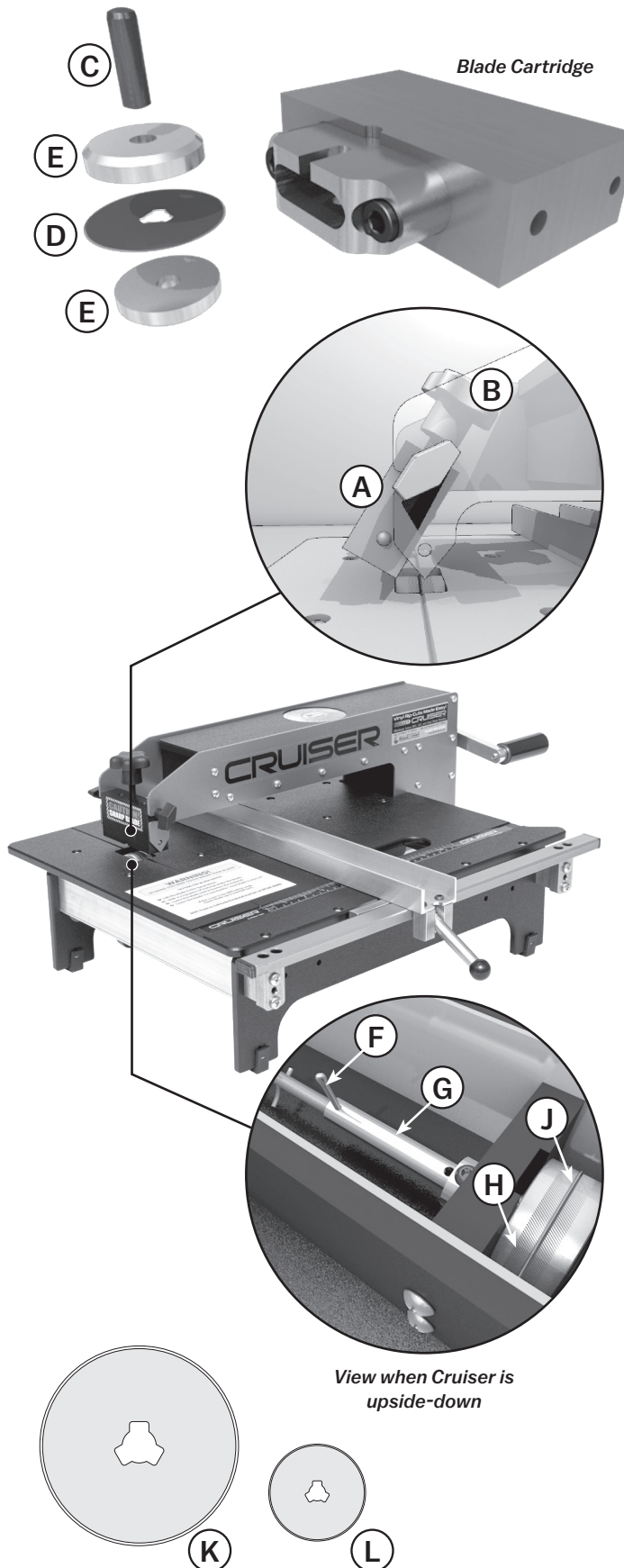
Rotating material when the drive is not turning, or attempting to follow a diameter smaller than 6" (152mm) or radius corner smaller than 3" (75mm) will crack the blades!



CHANGING BLADES

CAUTION

**BLADES ARE VERY SHARP
USE EXTREME CAUTION**



CHANGING THE UPPER BLADE

1. Pull sideways on the blade receiver assembly (A) until it snaps out of position, then press down to remove it from the Cruiser frame.
2. Extend the blade cartridge fully by turning the blade adjustment knob (B) clockwise until it stops. Do not force the knob further.
3. Use a pen or small screwdriver to push the axle pin (C) out of the blade cartridge.
4. Slide the blade (D) and spacers (E) out of the blade cartridge.
5. Discard the old blade and place a new one onto the axle pin, (C) sandwiched between the two spacers.
6. Apply a film of grease to the small steps on the sides of the spacers (E) and to the axle pin (C).
7. Slide the blade and spacers back into the blade cartridge and center the axle pin.
8. Reinstall cartridge, snap blade receiver assembly (A) back into position.

CHANGING THE LOWER BLADE

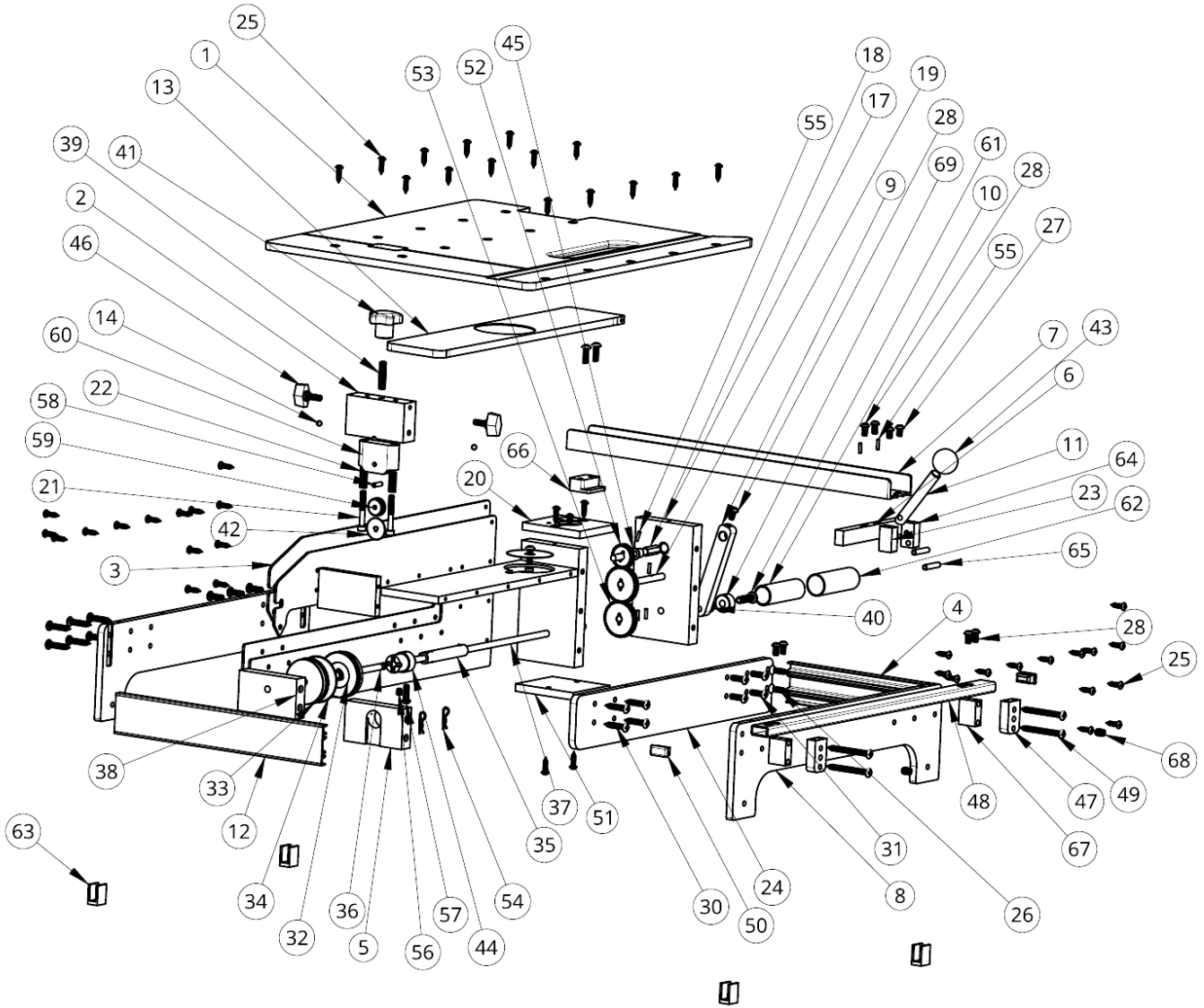
1. Turn your Cruiser upside-down. Remove the hairpin cotter (F) from the driveshaft coupler (G).
2. Slide the driveshaft coupler (G) to remove the connected axle from the drive wheels (H) and blade (J).
3. Remove the drive wheels (H) and blade (J) and pull apart to remove the old blade.
4. Insert new blade and follow the first three steps in reverse to reinstall.

CRUISER REPLACEMENT BLADES

Upper Blade (L): 2095B

Lower Blade (K): 2012B

PARTS BREAKDOWN



REPLACEMENT PARTS LIST

REF#	EDI	PART #	DESCRIPTION
34	29802	2012B	60MM REPLACEMENT BLADE
42	29803	2095B	28MM REPLACEMENT BLADE

PARTS BREAKDOWN

REF#	EDI	PART #	DESCRIPTION	QTY
1	R7335	CON-TBL-3017	MACHINE - 12" TABLE (CRUISER)	1
2	WU955	COT-RCV-3035	MACHINE - 3 ½" RECEIVER (CRUISER)	1
3	WU953	COT-PLT-0495	RAW - SIDE PLATE (CRUISER)	2
4	WC1127	CON-RAL-3010	MACHINE - SHORT RAIL (BULLET CRUISER)	1
5	R7061	CON-BLK-3045	MACHINE - ¾" X 3 ½" PILLOW BLOCK, SLOTTED (CRUISER)	1
6	R7348	CON-TEE-3001	MACHINE - FENCE TEE (BULLET CRUISER)	1
7	R7179	CON-FNC-3001	MACHINE - FENCE BODY (BULLET CRUISER)	1
8	R7314	CON-TAL-3117	MACHINE - TAIL (CRUISER)	2
9	R7307	CON-BAR-3048	MACHINE - CRANK BAR (CRUISER)	1
10	R7192	CON-HAN-3010	MACHINE - 1" DIA X 3" HANDLE (CRUISER)	1
11	R7242	CON-PIN-5211	CAM-ACTION LATCH LEVER FOR BULLET VINYL CUTTER	1
12	WC1128	CON-RAL-3014	MACHINE - LONG RAIL (BULLET CRUISER)	1
13	R7166	CON-CVR-3012	MACHINE - STORAGE COVER (CRUISER)	1
14	WX2521	GEN-BAL-0025	BALL BEARING ¼"	2
15	R7165	CON-CVR-3008	MACHINE - STORAGE BOTTOM (CRUISER)	1
16	R7164	CON-CVR-3003	MACHINE - STORAGE SIDE (CRUISER)	1
17	R7062	CON-BLK-3055	MACHINE - ¾" X 3 ½" X 6" REAR BLOCK (CRUISER)	1
18	WU959	COT-SFT-3002	MACHINE - ¼" X ⅝" HEX CRANK SHAFT (CRUISER)	1
19	WU958	COT-SFT-3001	MACHINE - 0.313" DIA IDLER SHAFT (CRUISER)	1
20	R7167	CON-CVR-3103	MACHINE - TOP GEAR CAP (CRUISER)	1
21	WR1506	FAS-BLT-9010	M6 x 45MM SHCS	2
22	WR1637	GEN-SPR-5236	SPRING, COMPRESSION .360 OD X 1.03L	2
23	R7058	CON-BLK-3002	MACHINE - LEFT FENCE EAR BLOCK (BULLET CRUISER) MIRRORED 3003	1
24	R7315	CON-TAL-3118	MACHINE - MIDDLE 'TAIL' (CRUISER)	1
25	WR1564	FAS-SCW-1010	#10 X ¾ PHPSMS	48
26	WR1567	FAS-SCW-1411	#14 X 1 FHPSMS	2
27	WR1615	FAS-SCW-9849	M6 X 10 BHSC, BLOX	2
28	WR1736	FAS-SCW-AF09	M6 X 12 BHSCS	7
29	R7063	CON-BLK-3075	MACHINE - ¾" X 3 ½" X 6" GEARBOX BLOCK (CRUISER)	1
30	WR1568	FAS-SCW-1412	MCMaster 90190A316 #14 X 1 ¼ PHPSMS	10
31	WR1566	FAS-SCW-1407	#14 X ¾ TYPE-B PHPSMS	13
32	R7274	CON-RLR-3060	MACHINE - DRIVE ROLLER (BULLET CRUISER) LEFT HALF FOR 60MM BLADE	1
33	R7275	CON-RLR-3061	MACHINE - DRIVE ROLLER (BULLET CRUISER) RIGHT HALF FOR 60MM BLADE	1
34	WX2525	GEN-BDE-3060	60MM OLFA BLADE	2
35	R7286	CON-SLV-3001	MACHINE - BOLT CARRIER (CRUISER)	1

PARTS BREAKDOWN CONTINUED

REF#	EDI	PART #	DESCRIPTION	QTY
36	WU960	COT-SFT-3003	MACHINE - DRIVE WHEEL SHAFT (CRUISER)	1
37	WU961	COT-SFT-3004	MACHINE - LONG DRIVE SHAFT (CRUISER)	1
38	R7060	CON-BLK-3035	MACHINE - 2.05" X 3½" PILLOW BLOCK, ROUND (CRUISER)	1
39	WR1560	FAS-SCW-0835	M8-1.25 X 35 SET SCREW	1
40	WR1745	FAS-WSH-0889	M8 SPLIT LOCK WASHER, BLACK PREFERRED	1
41	WL812	GEN-KNB-5161	KNOB, MULTI-LOBE, PP, ⅝"-18 X 1¼" (SSSII)(59625K38)	1
42	WX2526	GEN-BDE-5228	28MM OLFA BLADE	2
43	WL791	GEN-CAP-1505	BALL KNOB, BLACK WITH ½" HOLE	1
44	R7230	CON-JOY-3001	MACHINE - LOVEJOY LINK (CRUISER)	1
45	WL866	GEN-BNG-3000	BUSHING ⅝ ₁₆ ID X ⅝ ₁₆ OD X ½ DEEP, NYLON	1
46	WL811	GEN-KNB-2510	TEE KNOB, ¼"-20 X 1.0 STUD	2
47	R7289	CON-SPC-3115	MACHINE - FENCE SPACER (CRUISER)	2
48	WU934	CON-FNC-3150	MACHINE - FENCE TRACK (CRUISER)	1
49	WR1570	FAS-SCW-1425	#14 x 2½ PHPSMS	4
50	WL792	GEN-CAP-3015	.5 X 1.0 RECTANGULAR PLUG, BLK SIMILAR TO MCMMASTER 9474K51	2
51	R7168	CON-CVR-3104	MACHINE - BOTTOM GEAR CAP (CRUISER)	1
52	R7189	CON-GER-2427	MACHINE - GEAR SDP_A_1M_2-Y24027	1
53	R7190	CON-GER-2442	MACHINE - A_1M_2-Y24042	2
54	WR1029	FAS-PIN-3132	⅛ x 1½ COTTER PIN	2
55	WR1543	FAS-PIN-3018	DOWEL PIN ⅛ X ½	6
56	WR1739	FAS-SCW-EZ88	SET SCREW, M6 x 8 CUP POINT	1
57	WR1735	FAS-SCW-AF05	M6 x 20 BHSCS	1
58	WR1540	FAS-PIN-0518	5MM X 18MM DOWEL PIN	1
59	R7292	CON-SPC-5201		2
60	R7162	CON-CRT-5207	1.1" BLADE CARTRIDGE	1
61	WR1588	FAS-SCW-5830	M8-1½ X 30 BHSCS ZINC PLATED	1
62	WL803	GEN-HAN-0568	1" ID X 4" LONG ROUND RUBBER GRIP	1
63	WK241	GEN-EDG-2440	SBR RUBBER U-CHANNEL PUSH-ON TRIM ⅝ X 1 - MCMMASTER 8510K25 CUT TO .75	4
64	R7059	CON-BLK-3003	MACHINE - RIGHT FENCE EAR BLOCK (BULLET CRUISER)	1
65	WR1541	FAS-PIN-0881	DOWEL PIN, ¼" x 1¼"	2
66	R7181	CON-FNC-3155	CRUISER FENCE TOEHOLD	1
67	R7288	CON-SPC-2175	28MM BLADE SPACER	2
68	WR1612	FAS-SCW-9041	M8 X 12 SET SCREW -CUP POINT (100/BX) AXLE SCREW (MET SS8.12)	2
69	R7551	MAC-BNG-5875	CRUISER HANDLE BEARING/BUSHING .875 OD	1

BULLET

B Y M A R S H A L L T O W N®

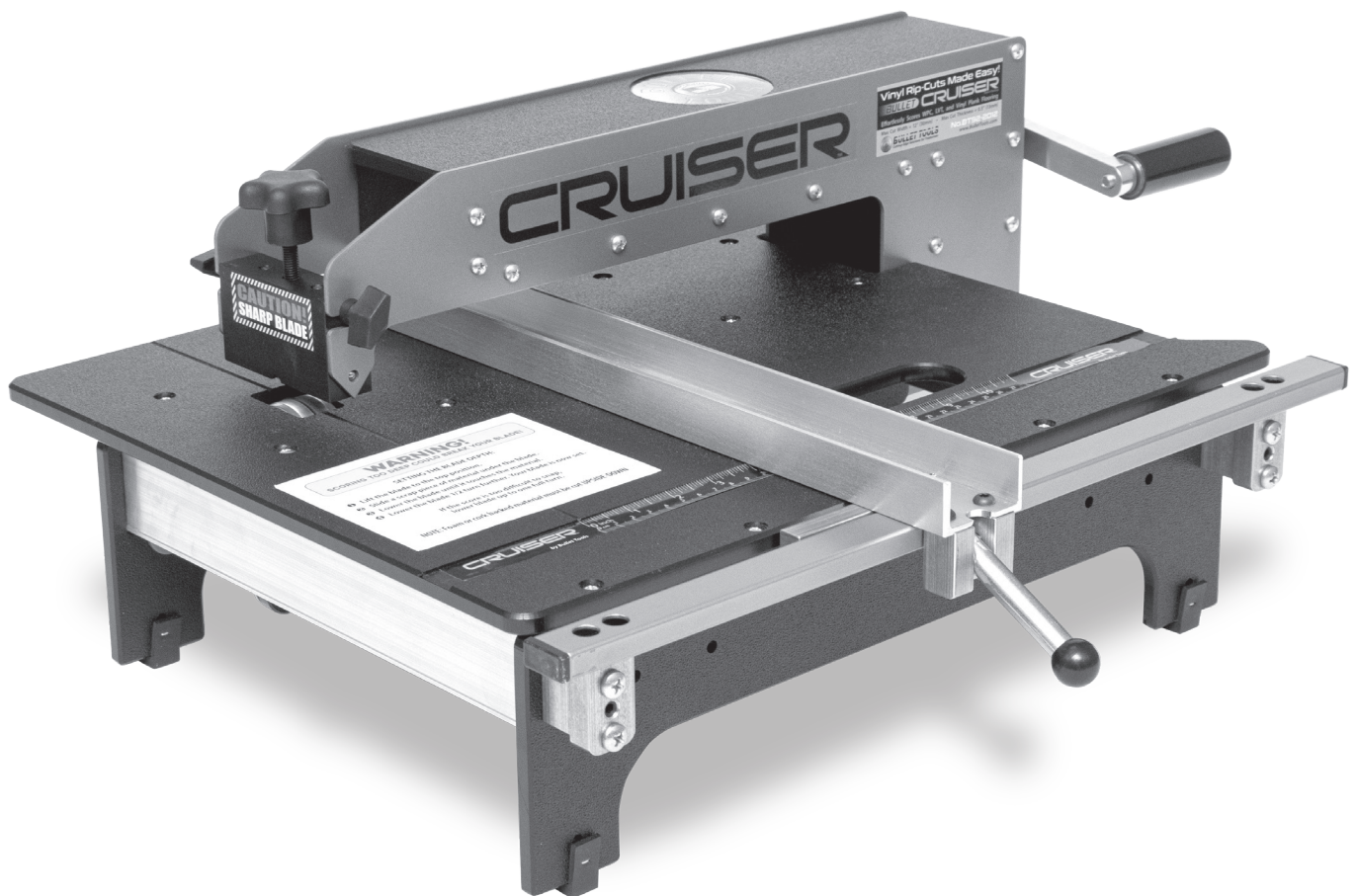
104 S. 8th Ave., Marshalltown, IA
Phone 800-888-0127 / 641-753-0127
Fax 800-477-6341 / 641-753-6341
www.MARSHALLTOWN.com
WS2641

BULLET

BY MARSHALLTOWN®

CORTADORA BULLET CUISER

N.º de pieza BT92-2012 | N.º EDI 29953



104 S. 8th Ave. | Marshalltown, IA
Teléfono 800-888-0127 / 641-753-0127 | Fax 800-477-6341 / 641-753-6341
www.MARSHALLTOWN.com
WS2641

INTRODUCCIÓN

Gracias por su compra de la cortadora Bullet Cuiser por MARSHALLTOWN®. Este producto innovador hecho en Estados Unidos le ofrece la mejor solución para el mercado cada vez más grande de tablonos de vinil, permitiendo que usted haga cortes rápidos, limpios, fáciles de marcar y separar.

Su nueva cortadora Bullet Cuiser incluye las siguientes características:

- Capacidad de cortar en interiores sin dejar polvo, causar ruido y sin cables eléctricos
- Hojas rodantes dobles que cortan con exactitud a través de una capa de desgaste para separaciones rápidas y limpias según el tamaño
- Guía de ajuste rápido y regla integrada para medidas precisas
- Mango integrado de modo que es fácil de transportar
- Una caja de almacenamiento para guardar hojas de repuesto y otras herramientas para la instalación de pisos
- Diseño con abertura para cortes de extremo, cortes de muescas y cortes en losetas con formato cuadrado o rectangular
- Hoja de corte inferior para pisos de fibra de vidrio, fibra de yute, tablonos de vinil con reverso de espuma, planta de linóleo y pisos de compuesto de plástico y madera

Además, puede cortar materiales de hasta ½" (13 mm) de espesor y 12" (305 mm) de ancho, incluidos:

- LVT
- LVP
- WPC
- MLF
- Núcleo rígido
- Pisos de tablonos de vinil

Este manual del propietario proporciona la información necesaria para la operación y el mantenimiento de esta cortadora Bullet Cuiser. Lea detenidamente y siga todas las instrucciones de operación y seguridad que se encuentran en este manual. Asegúrese de que todos los operadores de este producto lean este manual antes de utilizar la unidad. El reemplazo de cualquier pieza de este producto por una pieza de repuesto de cualquier otro fabricante puede afectar negativamente el desempeño, durabilidad o seguridad del producto.

Asegúrese de seguir las precauciones de seguridad. Lea y siga todas las instrucciones de operación y seguridad que se encuentran en este manual del operador. El fabricante se reserva el derecho de hacer cambios o añadir mejoras a su producto en cualquier momento y sin previo aviso u obligación. El fabricante se reserva el derecho a decidir, a su entera discreción y en cualquier momento, descontinuar este producto.

Este manual abarca información sobre la cortadora Bullet Cuiser por MARSHALLTOWN®. Para preguntas técnicas o piezas de repuesto, llame a servicio al cliente de MARSHALLTOWN® al 1-800-888-0127 o visite www.MARSHALLTOWN.com.

CONTENIDO

Introducción.....	2
Precauciones de seguridad	3
Calcomanías de seguridad.....	4
Garantía	4
Montaje.....	5
Operación.....	6
Cambio de hojas	7
Descripción de las piezas	8
Lista de piezas de repuesto.....	8
Lista de la descripción de las piezas	9-10



PRECAUCIONES DE SEGURIDAD




• Los letreros de seguridad PELIGRO o  ADVERTENCIA se encuentran ubicados cerca de riesgos específicos.



• Las medidas de seguridad generales se enumeran en los letreros de seguridad de PRECAUCIÓN.

Esta nota aparece antes de las advertencias en el texto. Esto significa que el paso que sigue debe llevarse a cabo para evitar la posibilidad de una lesión personal o la muerte. Estas advertencias pretenden ayudar al técnico a evitar cualquier riesgo potencial que se encuentre en los procedimientos de servicio normales. Recomendamos enfáticamente que el lector aproveche la información proporcionada para prevenir lesiones personales o lesiones a otros.

LAS SIGUIENTES PRECAUCIONES SE SUGIEREN PARA AYUDAR A PREVENIR ACCIDENTES. UN OPERADOR CUIDADOSO ES EL MEJOR OPERADOR. LA MAYORÍA DE LOS ACCIDENTES PUEDEN EVITARSE SIGUIENDO CIERTAS PRECAUCIONES. LEA Y TOMÉ LAS SIGUIENTES PRECAUCIONES ANTES DE OPERAR ESTE EQUIPO A FIN DE AYUDAR A PREVENIR ACCIDENTES. EL EQUIPO DEBE SER OPERADO SOLO POR LAS PERSONAS QUE SON RESPONSABLES E INSTRUIDAS PARA HACERLO.

 **ADVERTENCIA DE LA PROPUESTA 65 DE CALIFORNIA:** Este producto puede exponerlo a químicos que en el estado de California se conocen como causantes de cáncer, defectos de nacimiento u otros daños reproductivos.

- Lea todas las instrucciones de operación y mantenimiento antes de operar o dar servicio a este producto.
- Este producto es seguro siempre que el operador lo utilice con precaución. Preste completa atención a la operación del producto.
- Sepa cómo detener este producto al instante.



NUNCA opere este producto si se ha extraído cualquiera de los componentes.

- Siempre mantenga a las personas sin experiencia y no autorizadas lejos de este producto.
- Mantenga este producto en buenas condiciones operativas. Las piezas sueltas o dañadas son peligrosas.
- Evite usar ropa holgada que pudiera quedar atrapada en las piezas móviles.



Mantenga las manos y los pies lejos de las piezas móviles.

- Mantenga todas las etiquetas de advertencia, precaución e instrucciones de seguridad en buenas condiciones. Reemplace las etiquetas faltantes, dañadas o ilegibles.
- Despeje el área de trabajo alrededor de este producto a fin de evitar tropiezos o caídas sobre él.
- Opere sobre un suelo nivelado para evitar que a este producto se volteé.
- NO OPERE este producto bajo la influencia de alcohol o mientras toma medicamentos que deterioran sus reacciones.
- Use únicamente piezas autorizadas de fábrica para repuestos.
- Use lentes de seguridad cuando opere este producto.
- Siempre tenga cuidado al reemplazar la hoja en este producto.
- Solo opere este producto con los materiales aprobados. Si se requiere una fuerza extrema para cortar un material, puede resultar en lesiones personales y/o daño a este producto.
- Use ropa de protección apropiada mientras opera este producto, incluidas la protección de ojos, oídos y ropa.
- Maneje todos los solventes y agentes de limpieza con cuidado y siga las instrucciones del fabricante sobre la seguridad y la disposición.

CALCOMANÍAS DE SEGURIDAD

Si las calcomanías de seguridad están dañadas, puede reemplazarlas comunicándose con servicio al cliente.



R6166

GARANTÍA

Este producto está garantizado solo al comprador original frente a defectos en material y mano de obra bajo un uso normal, por un año a partir de la fecha de compra. MARSHALLTOWN® reparará o reemplazará, sin cargo alguno por piezas y mano de obra, dichas piezas que se determinen como defectuosas. Todos los cargos de transportación de las piezas de repuesto deberán ser pagados por el comprador.

Para obtener el servicio de garantía, el producto debe ser enviado, con prueba de la fecha de compra, a MARSHALLTOWN®. Comuníquese con el servicio al cliente de MARSHALLTOWN® para determinar el mejor método para enviar el producto que está bajo la garantía. El envío del producto debe realizarse a más tardar 30 días después del vencimiento del periodo de garantía.

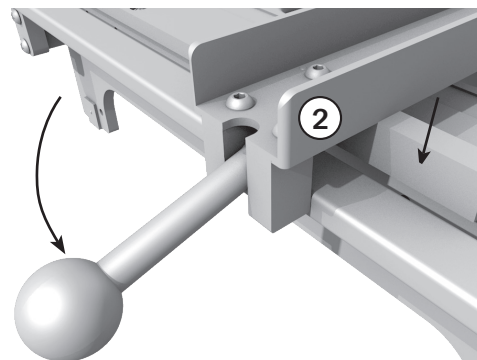
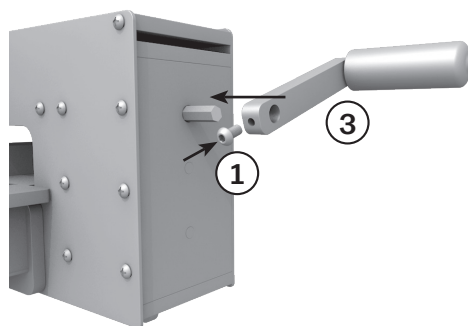
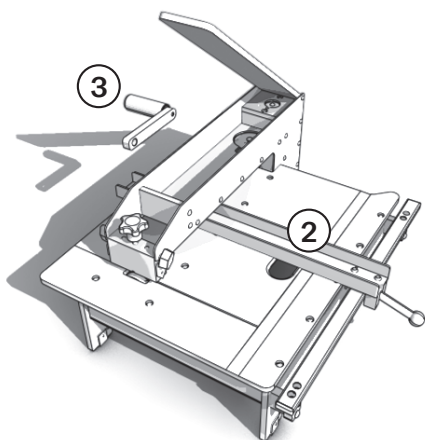
Todas las garantías implícitas, incluyendo aquellas de comerciabilidad e idoneidad para una finalidad en especial, están limitadas a un año a partir de la fecha de compra por parte del cliente minorista original y en la medida que lo permita la ley, además se excluyen y se renuncia a todas las garantías implícitas después del vencimiento de dicho periodo.

Algunos estados no permiten limitaciones sobre la duración del periodo de una garantía implícita, o la exclusión o limitaciones de daños indirectos o consecuentes, por lo que las limitaciones o exclusiones mencionadas pueden no aplicar a su caso. Esta garantía le otorga derechos legales específicos y es posible que usted tenga otros derechos que varían de estado a estado.

Exclusión de esta garantía:

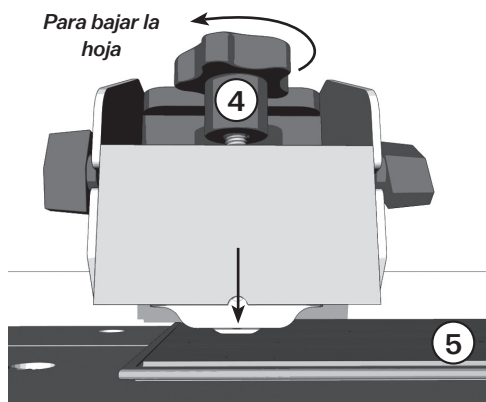
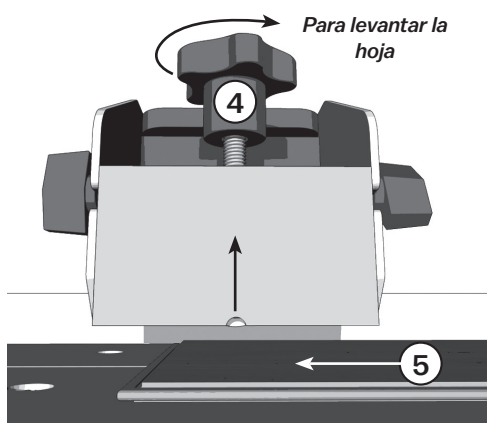
1. Todos los daños consecuentes, incluyendo la recolección y entrega de la unidad, comunicación, cargos por kilometraje y/o renta de una unidad de reemplazo durante reparaciones no están cubiertos por esta garantía ni tampoco cualquier pérdida de ingresos y/u otras pérdidas que resulten por la falla de funcionamiento del producto debido a un defecto cubierto por la garantía.
2. Esta garantía no aplicará cuando el producto se vuelva inoperativo debido al mal uso, desgaste normal, negligencia, mantenimiento inadecuado, accidente o daño en el transporte; no ha sido operado y mantenido de conformidad con las instrucciones proporcionadas en el manual del operador o ha sido alterado o modificado sin la aprobación del Departamento de Servicio de la fábrica.
3. Ninguna pieza o producto debe regresarse a la fábrica sin la aprobación previa por escrito de la fábrica.

MONTAJE



INSTALE LA MANIVELA DE ACCIONAMIENTO (3) (empacada adentro de la caja de almacenamiento superior) presionándola firmemente sobre el eje impulsor y apriete el tornillo (1).

INSTALE LA GUÍA (2) colocando la parte en "T" entre el riel de acero y la mesa de plástico. Presione hacia abajo la palanca de bloqueo para engancharla en su posición.

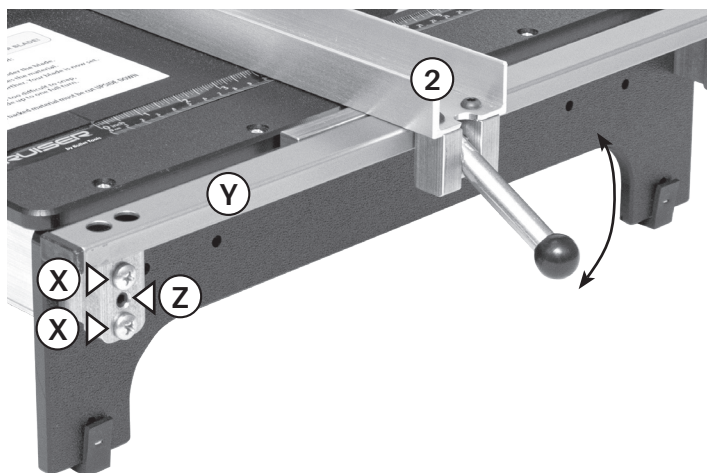


ADVERTENCIA
¡La hoja se romperá si hace marcas muy profundas!

AJUSTE DE LA PROFUNDIDAD DE LA HOJA

Gire la perilla (4) y levante la hoja a la posición superior. Deslice un trozo de desecho de material (5) debajo de la hoja. Gire la perilla (4) para bajar la hoja hasta que toque el material. Baje la hoja media vuelta más. La hoja ahora está ajustada.

NOTA: El material con reverso de espuma o corcho debe cortarse BOCABAJO



AJUSTE DE LA POSICIÓN DE LA GUÍA

Levante la palanca de bloqueo para desengancharla. Deslice la guía (2) hasta la posición deseada. Presione la palanca de bloqueo firmemente hacia abajo para engancharla en su lugar.

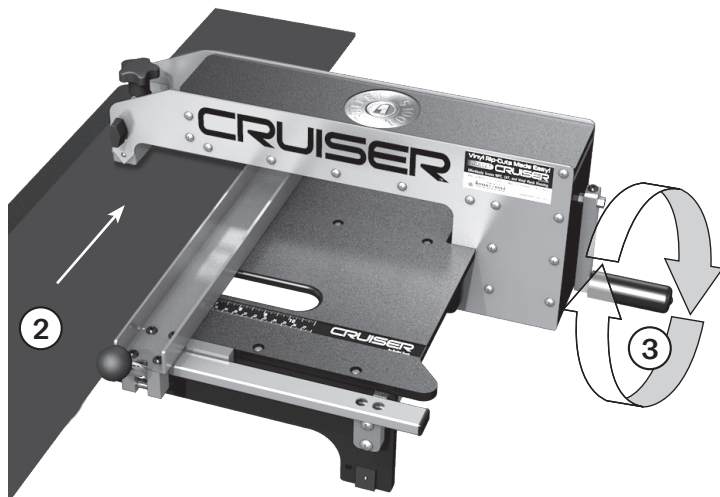
CUADRATURA DE LA POSICIÓN DE LA GUÍA

1. Afloje los tornillos Phillips (X) en UN LADO del carril de la guía (Y).
2. Apriete los tornillos de fijación de ajuste (Z) media vuelta.
3. Apriete los tornillos Phillips (X).
4. Repita según sea necesario hasta que el carril de la guía (Y) esté cuadrado con el receptor.

OPERACIÓN

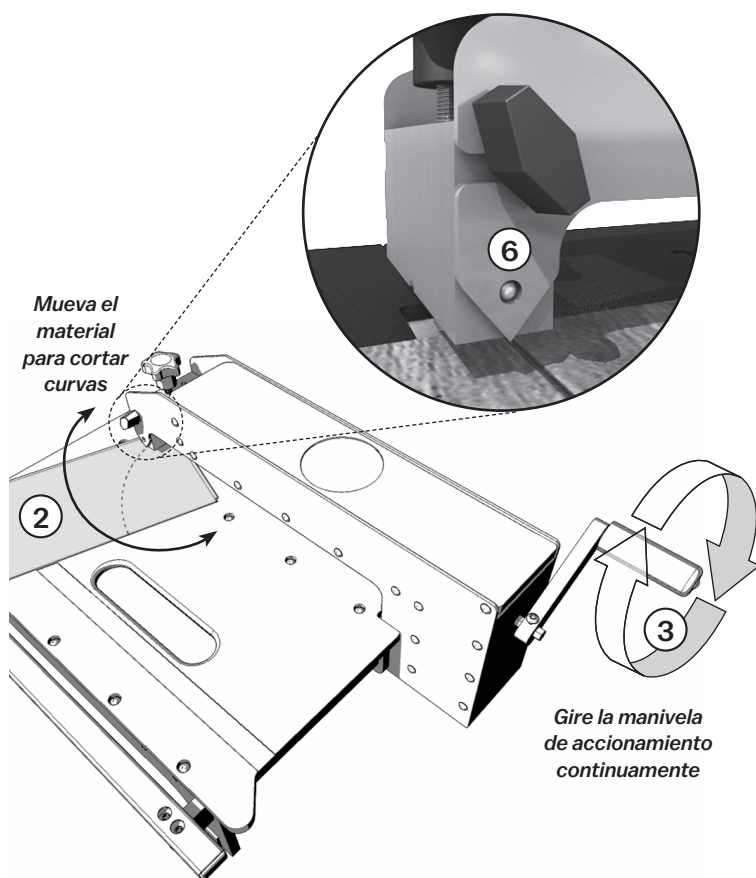
CORTES RECTOS

1. Levante la palanca de bloqueo y deslice la guía al ancho deseado.
2. Empuje la palanca de bloqueo hacia abajo para enganchar la guía en su posición.
3. Deslice el tablón de LVP o WPC contra la guía (2), luego empújela hacia adelante por debajo de la hoja.
4. Sostenga suavemente el material contra la hoja y gire la manivela de accionamiento (4).
5. Continúe girando la manivela de accionamiento hasta que el material se haya marcado por completo.
6. Doble el material para separarlo a lo largo de la línea marcada.



CORTES CURVOS

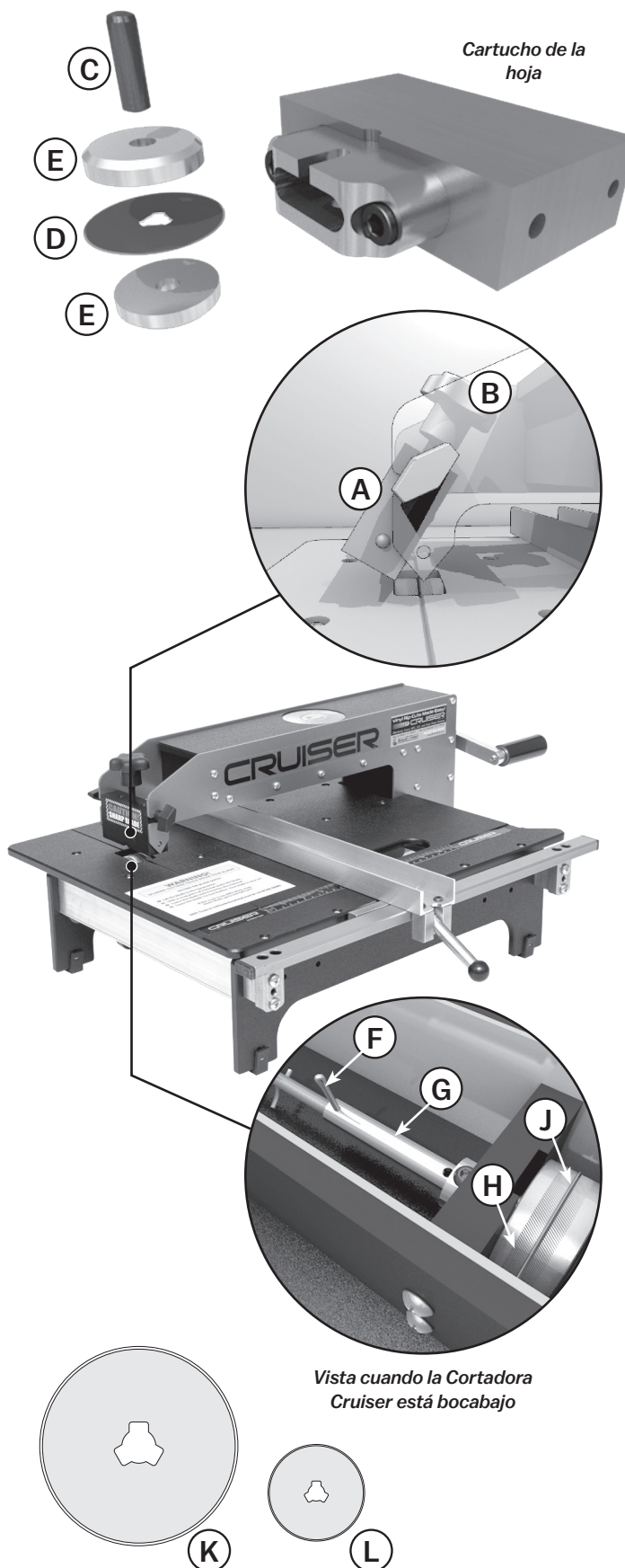
1. Ajuste la profundidad de la hoja.
2. Levante la palanca de bloqueo de la guía y retire la guía.
3. Dibuje una línea en el material que representa la ruta que planea cortar.
4. Alinee su línea con el indicador de flecha (6) en la cortadora Cruiser y empuje el material firmemente por debajo de la hoja.
5. Gire la manivela de accionamiento y deje que el material avance por debajo de la hoja.
6. Mueva el material según sea necesario al tiempo que gira la manivela de accionamiento a fin de asegurarse de que la rueda de marcado siga la línea que trazó.
7. Continúe girando la manivela de accionamiento hasta que el material se haya marcado por completo.
8. Doble el material para separarlo a lo largo de la línea marcada.



¡CUIDADO
¡Mover el material cuando no se está girando el accionamiento o intentar seguir un diámetro menor a 6" (152 mm) o una esquina con un radio menor a 3" (75 mm) romperá las hojas!



CAMBIO DE LAS HOJAS



CUIDADO
LAS HOJAS ESTÁN
EXTREMADAMENTE AFILADAS
EXTREME SUS PRECAUCIONES



CAMBIO DE LA HOJA SUPERIOR

1. Tire del conjunto del receptor de la hoja (A) hacia los lados hasta que salga de su posición con un chasquido, luego presiónelo hacia abajo para retirarlo del bastidor de la cortadora.
2. Extienda el cartucho de la hoja por completo girando la perilla de ajuste de la hoja (B) hacia la derecha hasta que se detenga. No fuerce la perilla más allá de ese punto.
3. Utilice un bolígrafo o destornillador pequeño para empujar el pasador de eje (C) hacia afuera del cartucho de la hoja.
4. Deslice la hoja (D) y los espaciadores (E) fuera del cartucho de la hoja.
5. Deseche la hoja usada y coloque una nueva en el pasador de eje (C), colocándola entre los dos espaciadores.
6. Aplique una película de grasa a las ranuras pequeñas en los lados de los espaciadores (E) y al pasador de eje (C).
7. Deslice la hoja y los espaciadores nuevamente hacia adentro del cartucho de la hoja y coloque el pasador de eje en el centro.
8. Vuelva a instalar el cartucho, instale a presión el conjunto del receptor de la hoja (A) de nuevo en su posición.

CAMBIO DE LA HOJA INFERIOR

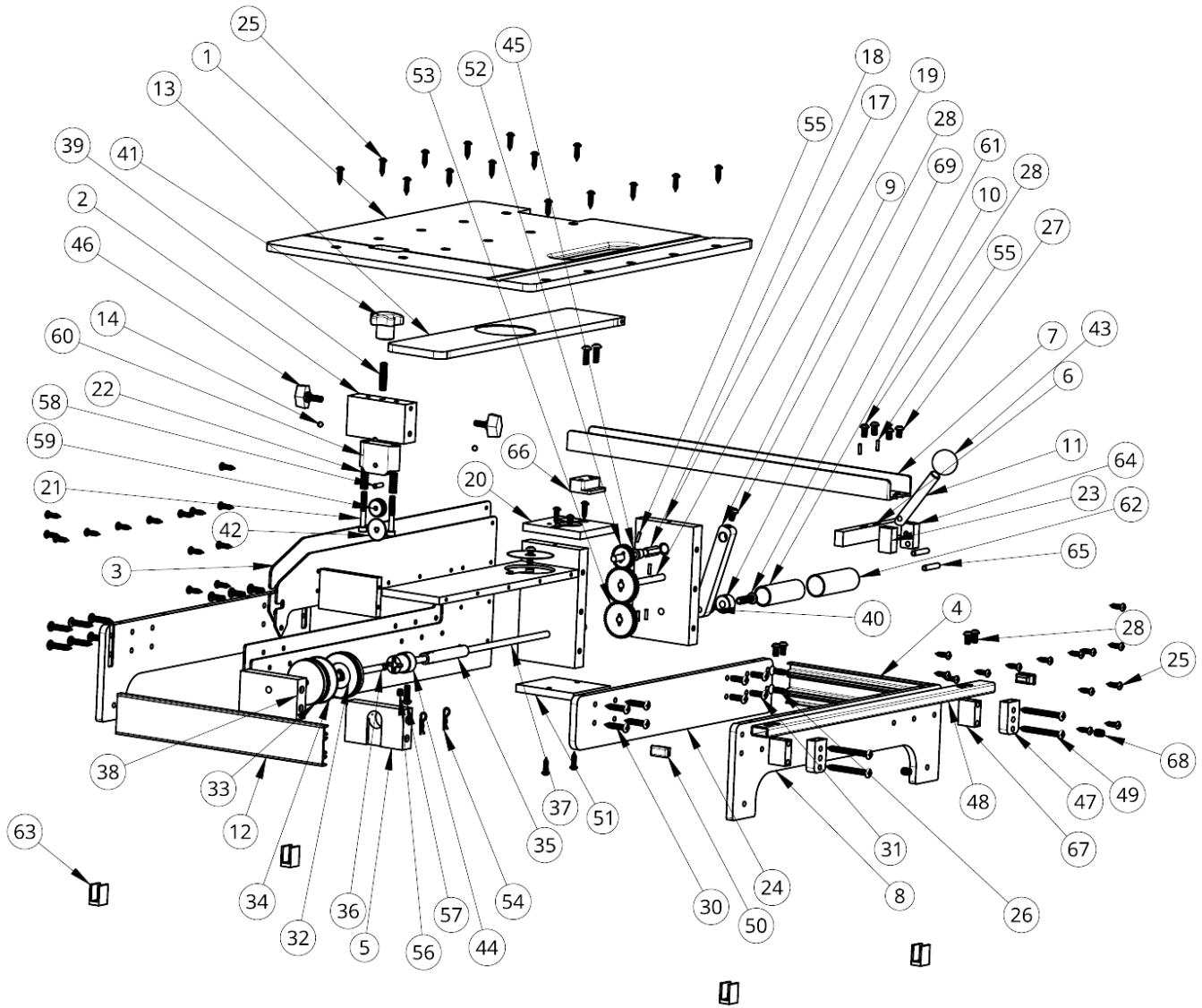
1. Voltee la cortadora Cruiser bocabajo. Retire el pasador de chaveta (F) del acoplador del eje impulsor (G).
2. Deslice el acoplador del eje impulsor (G) para retirar el eje conectado de las ruedas impulsoras (H) y la hoja (J).
3. Retire las ruedas impulsoras (H) y la hoja (J) y desmóntelas para retirar la hoja usada.
4. Inserte la hoja nueva y siga los primeros tres pasos en orden inverso para volver a instalarla.

HOJA DE REPUESTO DE LA CORTADORA CRUISER

Hoja superior (L): 2095B

Hoja inferior (K): 2012B

DESCRIPCIÓN DE LAS PIEZAS



LISTA DE LAS PIEZAS DE REPUESTO

N.º de REF	EDI	N.º DE COMPONENTE	DESCRIPCIÓN
34	29802	2012B	HOJAS DE REPUESTO DE 60 MM
42	29803	2095B	HOJAS DE REPUESTO DE 28 MM

LISTA DE LA DESCRIPCIÓN DE LAS PIEZAS

N.º de REF	EDI	N.º DE PIEZA	DESCRIPCIÓN	CANT.
1	R7335	CON-TBL-3017	MÁQUINA: MESA DE 12" (Cruiser)	1
2	WU955	COT-RCV-3035	MÁQUINA: RECEPTOR DE 3½" (CRUISER)	1
3	WU953	COT-PLT-0495	MATERIA PRIMA: PLACA LATERAL (CRUISER)	2
4	WC1127	CON-RAL-3010	MÁQUINA: RIEL CORTO (BULLET CUISER)	1
5	R7061	CON-BLK-3045	MÁQUINA: CHUMACERA DE ¾" X 3½", RANURADA (CRUISER)	1
6	R7348	CON-TEE-3001	MÁQUINA: T DE LA GUÍA (BULLET CUISER)	1
7	R7179	CON-FNC-3001	MÁQUINA: CUERPO DE LA GUÍA (BULLET CUISER)	1
8	R7314	CON-TAL-3117	MÁQUINA: COLA (CRUISER)	2
9	R7307	CON-BAR-3048	MÁQUINA: BARRA DE LA MANIVELA (CRUISER)	1
10	R7192	CON-HAN-3010	MÁQUINA: MANGO DE 1" DIÁ X 3" (CRUISER)	1
11	R7242	CON-PIN-5211	PESTILLO DE PALANCA CAM-ACTION PARA CORTADORA DE VINIL BULLET	1
12	WC1128	CON-RAL-3014	MÁQUINA: RIEL LARGO (BULLET CUISER)	1
13	R7166	CON-CVR-3012	MÁQUINA: CUBIERTA DEL ALMACENAMIENTO (CRUISER)	1
14	WX2521	GEN-BAL-0025	COJINETE DE BOLAS ¼"	2
15	R7165	CON-CVR-3008	MÁQUINA: ALMACENAMIENTO INFERIOR (CRUISER)	1
16	R7164	CON-CVR-3003	MÁQUINA: ALMACENAMIENTO LATERAL (CRUISER)	1
17	R7062	CON-BLK-3055	MÁQUINA: BLOQUE TRASERO ¾" X 3½" X 6" (CRUISER)	1
18	WU959	COT-SFT-3002	MÁQUINA: EJE DE MANIVELA ¼" X ⅜ HEX (CRUISER)	1
19	WU958	COT-SFT-3001	MÁQUINA: EJE LIBRE DE 0.313" DIÁ (CRUISER)	1
20	R7167	CON-CVR-3103	MÁQUINA: TAPA DEL ENGRANAJE SUPERIOR (CRUISER)	1
21	WR1506	FAS-BLT-9010	TORNILLO DE CABEZA HUECA M6 X 45 MM	2
22	WR1637	GEN-SPR-5236	RESORTE DE COMPRESIÓN 0.360 DE DIÁMETRO EXTERIOR X 1.03L	2
23	R7058	CON-BLK-3002	MÁQUINA: BLOQUE DE GUÍA IZQUIERDA (BULLET CUISER) DUPLICADO 3003	1
24	R7315	CON-TAL-3118	MÁQUINA: 'COLA' CENTRAL (CRUISER)	1
25	WR1564	FAS-SCW-1010	TORNILLO MECÁNICO DE ACERO DE CABEZA TRONCOCÓNICA #10 X ¾	48
26	WR1567	FAS-SCW-1411	TORNILLOS PHILLIPS DE CABEZA PLANA PARA CHAPA DE METAL #14 X 1	2
27	WR1615	FAS-SCW-9849	TORNILLOS DE CABEZA REDONDA M6 x 10, BLOX,	2
28	WR1736	FAS-SCW-AF09	TORNILLOS DE CABEZA REDONDA DE HEXÁGONO INTERIOR M6 X 12	7
29	R7063	CON-BLK-3075	MÁQUINA: BLOQUE DE LA CAJA DE ENGRANAJES ¾" X 3½" X 6" (CRUISER)	1
30	WR1568	FAS-SCW-1412	MCMaster 90190A316 #14 X 1¼ TORNILLO MECÁNICO DE CABEZA TRONCOCÓNICA PHILLIPS	10
31	WR1566	FAS-SCW-1407	TORNILLO MECÁNICO DE CABEZA TRONCOCÓNICA PHILLIPS #14 X ¾ Tipo B	13
32	R7274	CON-RLR-3060	MÁQUINA: RODILLO IMPULSOR (BULLET CUISER) MITAD IZQUIERDA PARA HOJA DE 60 MM	1
33	R7275	CON-RLR-3061	MÁQUINA: RODILLO IMPULSOR (BULLET CUISER) MITAD DERECHA PARA HOJA DE 60 MM	1
34	WX2525	GEN-BDE-3060	HOJA OLFA DE 60 MM	2
35	R7286	CON-SLV-3001	MÁQUINA: PORTADOR DE PERNOS (CRUISER)	1

LISTA DE LA DESCRIPCIÓN DE LAS PIEZAS (CONTINUACIÓN)

N.º de REF	EDI	N.º DE PIEZA	DESCRIPCIÓN	CANT.
36	WU960	COT-SFT-3003	MÁQUINA: EJE DE LA RUEDA IMPULSORA (CRUISER)	1
37	WU961	COT-SFT-3004	MÁQUINA: EJE IMPULSOR LARGO (CRUISER)	1
38	R7060	CON-BLK-3035	MÁQUINA: CHUMACERA DE 2.05" X 3½", REDONDA (CRUISER)	1
39	WR1560	FAS-SCW-0835	TORNILLO DE FIJACIÓN M8-1¼ X 35	1
40	WR1745	FAS-WSH-0889	ARANDELA DE PRESIÓN M8, NEGRA DE PREFERENCIA	1
41	WL812	GEN-KNB-5161	PERILLA, MULTI LÓBULOS, PP, ¾-18 x 1¾" (SSSII)(59625K38)	1
42	WX2526	GEN-BDE-5228	HOJA OLFA DE 28 MM	2
43	WL791	GEN-CAP-1505	PERILLA DE BOLA, NEGRA CON ORIFICIO DE ½"	1
44	R7230	CON-JOY-3001	MÁQUINA: ARTICULACIÓN LOVEJOY (CRUISER)	1
45	WL866	GEN-BNG-3000	BUJE ¾ DIÁ INT X ¾ DIÁ EXT X ½ PROFUNDIDAD, NYLON	1
46	WL811	GEN-KNB-2510	PERILLA EN T, ¼-20 X 1.0 POSTE	2
47	R7289	CON-SPC-3115	MÁQUINA: ESPACIADOR DE LA GUÍA (CRUISER)	2
48	WU934	CON-FNC-3150	MÁQUINA: CARRIL DE LA GUÍA (CRUISER)	1
49	WR1570	FAS-SCW-1425	TORNILLOS MECÁNICOS DE CABEZA TRONCOCÓNICA PHILLIPS #14 X 2½	4
50	WL792	GEN-CAP-3015	TAPÓN RECTANGULAR ½ X 1.0, BLK SIMILAR A MCMaster 9474K51	2
51	R7168	CON-CVR-3104	MÁQUINA: TAPA DE ENGRANAJE INFERIOR (CRUISER)	1
52	R7189	CON-GER-2427	MÁQUINA: ENGRANAJE SDP_A_1M_2-Y24027	1
53	R7190	CON-GER-2442	MÁQUINA: A_1M_2-Y24042	2
54	WR1029	FAS-PIN-3132	PASADOR DE HORQUILLA ½ x 1½	2
55	WR1543	FAS-PIN-3018	PASADOR DE ESPIGA DE ½ X ½	6
56	WR1739	FAS-SCW-EZ88	JUEGO DE TORNILLOS DE PUNTA PLANA, M6 x 8	1
57	WR1735	FAS-SCW-AF05	TORNILLOS DE CABEZA REDONDA DE HEXÁGONO INTERIOR M6 X 20	1
58	WR1540	FAS-PIN-0518	PASADOR DE ESPIGA DE 5 MM X 18 MM	1
59	R7292	CON-SPC-5201		2
60	R7162	CON-CRT-5207	CARTUCHO DE LA HOJA DE 1.1"	1
61	WR1588	FAS-SCW-5830	TORNILLOS DE CABEZA REDONDA DE HEXÁGONO INTERIOR DE ZINC GALVANIZADO M8-1.25 X 30	1
62	WL803	GEN-HAN-0568	AGARRADERA DE CAUCHO REDONDA DE 1" DIÁ INT X 4" LARGO	1
63	WK241	GEN-EDG-2440	MOLDURA A PRESIÓN DE CANAL EN U DE CAUCHO SBR ¾ X 1 - MCMaster 8510K25 CORTADA A 0.75	4
64	R7059	CON-BLK-3003	MÁQUINA: BLOQUE DE LA GUÍA DERECHA (BULLET CRUISER)	1
65	WR1541	FAS-PIN-0881	PASADOR DE ESPIGA, ¼" x 1¼"	2
66	R7181	CON-FNC-3155	APOYO PARA PIE DE LA GUÍA DE LA CORTADORA CRUISER	1
67	R7288	CON-SPC-2175	ESPACIADOR DE HOJA DE 28 MM	2
68	WR1612	FAS-SCW-9041	CONJUNTO DE TORNILLOS M8 X 12, PUNTA PLANA (100/CAJA) TORNILLO DE EJE (MET SS8.12)	2
69	R7551	MAC-BNG-5875	BUJE/COJINETE DEL MANGO DE LA CORTADORA CRUISER DE 0.875 DIÁ EXT	1

BULLET

B Y M A R S H A L L T O W N®

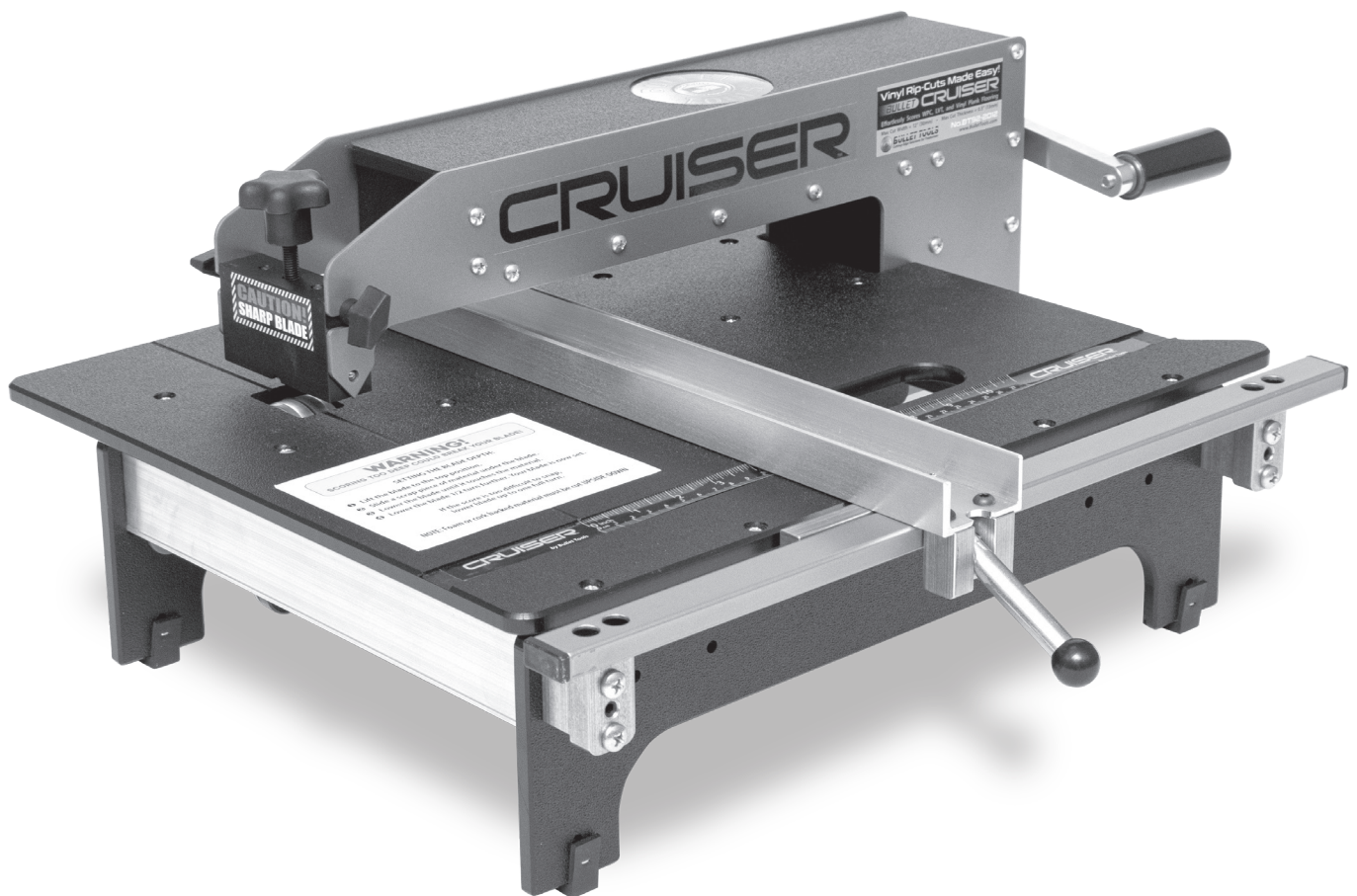
104 S. 8th Ave., Marshalltown, IA
Teléfono 800-888-0127 / 641-753-0127
Fax 800-477-6341 / 641-753-6341
www.MARSHALLTOWN.com
WS2641

BULLET

BY MARSHALLTOWN®

BULLET CRUISER

Réf. BT92-2012 | EDI 29953



104 S. 8th Ave. | Marshalltown, IA
Téléphone 800-888-0127 / 641-753-0127 | Télécopieur 800-477-6341 / 641-753-6341
www.MARSHALLTOWN.com
WS2641

INTRODUCTION

Merci d'avoir acheté le Bullet Cruiser de MARSHALLTOWN®. Ce produit innovant fabriqué aux États-Unis est une solution de choix pour le marché en plein essor des lames de vinyle, permettant d'effectuer sans difficulté des coupes rapides et propres par rainurage et cassure.

Le Bullet Cruiser présente les caractéristiques suivantes :

- Permet de couper à l'intérieur sans poussière, bruit ni câbles électriques
- Deux lames circulaires qui tranchent proprement la couche d'usure pour produire une cassure propre et facile
- Guide à réglage rapide et règle intégrée permettant des mesures précises
- Poignée intégrée pour faciliter le transport
- Boîtier de rangement pour les lames de rechange et autres outils
- Configuration ouverte permettant la découpe en bout, la découpe d'encoche et la coupe de carreaux de format carré ou rectangulaire
- Lame de coupe inférieure pour les revêtements de sol en fibre de verre, fibre de jute, vinyle à endos mousse, linoléum et composite bois-plastique

Et il peut couper des matériaux de ½ po (13mm) d'épaisseur et de 12 po (305 mm) de largeur, notamment :

- LVT
- LVP
- WPC
- MLF
- Panneau à âme rigide
- Lames de sol en vinyle

Ce manuel de l'utilisateur fournit l'information nécessaire pour faire fonctionner et entretenir le Bullet Cruiser. Veiller à lire avec attention et à respecter toutes les consignes de sécurité et d'utilisation de ce manuel. S'assurer que chaque utilisateur de ce produit a lu le manuel avant d'utiliser l'appareil. Le remplacement de toute pièce de ce produit autrement que par des pièces de rechange agréées par le fabricant peut avoir un effet contraire sur le fonctionnement, la durabilité ou la sécurité du produit.

Veiller à bien respecter les mesures de sécurité. Lire et respecter toutes les consignes de sécurité et d'utilisation figurant dans ce manuel de l'utilisateur. Le fabricant se réserve le droit de modifier ou d'améliorer le produit à tout moment sans préavis ni obligation. Le fabricant se réserve le droit de décider, à sa seule discrétion et à tout moment, d'abandonner ce produit.

Ce manuel concerne le Bullet Cruiser MARSHALLTOWN®. Pour les questions techniques ou les pièces de rechange, appeler le service après-vente de MARSHALLTOWN® au 1-800-888-0127 ou visiter www.MARSHALLTOWN.com.

TABLE DES MATIÈRES

Introduction	2
Mesures de sécurité	3
Autocollants de sécurité	4
Garantie	4
Assemblage	5
Fonctionnement.....	6
Remplacement de la lame.....	7
Nomenclature des pièces	8
Liste des pièces de rechange	8
Liste des pièces	9-10



MESURES DE SÉCURITÉ

- Les panonceaux DANGER et AVERTISSEMENT sont placés à proximité de zones dangereuses particulières.
- Les panonceaux ATTENTION comportent des mesures générales de précaution.

Ce symbole apparaît avant les mises en garde dans le texte. Il signifie que l'étape qui suit doit être effectuée pour écarter les risques de blessures corporelles ou de mort. Ces mises en garde ont pour objet d'aider le technicien à éviter les dangers potentiels rencontrés durant les procédures normales d'entretien. Nous conseillons vivement au lecteur de tenir compte de l'information fournie afin d'éviter les blessures personnelles ou à autrui.

LES MESURES DE PRÉCAUTION SUIVANTES SONT CONSEILLÉES POUR ÉVITER LES ACCIDENTS. LE MEILLEUR UTILISATEUR EST UN UTILISATEUR PRUDENT. LA MAJORITÉ DES ACCIDENTS PEUVENT ÊTRE ÉVITÉS EN OBSERVANT CERTAINES PRÉCAUTIONS. POUR ÉVITER LES ACCIDENTS, LIRE ET RESPECTER LES MESURES DE PRÉCAUTION SUIVANTES AVANT D'UTILISER CE MATÉRIEL. LE MATÉRIEL DOIT ÊTRE UTILISÉ UNIQUEMENT PAR DES PERSONNES RESPONSABLES ET FORMÉES À SON UTILISATION.



PROPOSITION 65 DE CALIFORNIE - AVERTISSEMENT : Ce produit peut exposer son utilisateur à des substances que l'État de Californie a déclarées responsables de cancer, malformations congénitales et autres effets nocifs sur la reproduction.

- Lire toutes les instructions d'utilisation et d'entretien avant d'utiliser ou d'entretenir ce produit.
- Ce produit est aussi sûr que son utilisateur seulement. Veiller à accorder toute son attention à l'utilisation de ce produit.
- Savoir comment arrêter ce produit instantanément.



NE JAMAIS utiliser ce produit si certaines de ses pièces ont été retirées.

- Toujours tenir les personnes inexpérimentées et non autorisées à l'écart de ce produit.
- Maintenir ce produit en bon état de fonctionnement. Les pièces desserrées ou endommagées sont dangereuses.
- Éviter les vêtements amples susceptibles d'être pris dans les pièces en mouvement.



Tenir les mains et les pieds à l'écart des pièces en mouvement.

- Maintenir toutes les étiquettes d'avertissement, de mise en garde et d'instructions de sécurité en bon état. Remplacer les étiquettes manquantes, endommagées ou illisibles.
- Dégager la zone de travail autour de ce produit pour éviter de trébucher ou de tomber dessus.
- Travailler sur une surface plane pour éviter que ce produit se renverse.
- NE PAS UTILISER ce produit alors qu'on est sous l'emprise de l'alcool ou qu'on prend des médicaments qui altèrent les réflexes.
- Utiliser uniquement des pièces de rechange autorisées par l'usine.
- Porter des lunettes de sécurité durant l'utilisation de ce produit.
- Toujours faire preuve de précaution pour changer la lame de ce produit.
- Utiliser ce produit uniquement avec des matériaux approuvés. Si une force excessive est nécessaire pour couper un matériau, cela peut provoquer des blessures corporelles ou des dommages à ce produit.
- Porter une tenue de protection adaptée durant l'utilisation de ce produit, notamment des yeux, des oreilles et des vêtements.
- Manipuler tous les solvants et produits nettoyants avec précaution et suivre les instructions du fabricant concernant la sécurité et l'élimination.

AUTOCOLLANTS DE SÉCURITÉ

Si les autocollants de sécurité sont endommagés, ils peuvent être remplacés en s'adressant au service après-vente.



R6166

GARANTIE

Ce produit est garanti à l'acheteur initial seulement contre les défauts de matériau et de fabrication dans des conditions normales d'utilisation, pendant un an à compter de la date d'achat. MARSHALLTOWN® s'engage à réparer ou à remplacer, sans frais de pièces ou de main-d'œuvre, toute pièce jugée défectueuse. Tous les frais de port pour les pièces de rechange seront à la charge de l'acheteur.

Pour recourir à la garantie, le produit doit être renvoyé à MARSHALLTOWN® accompagné d'un justificatif de la date d'achat. Communiquer avec le service après-vente de MARSHALLTOWN® pour déterminer la meilleure méthode de renvoi du produit sous garantie. Le produit devra être renvoyé au plus tard 30 jours après l'expiration de la période de garantie.

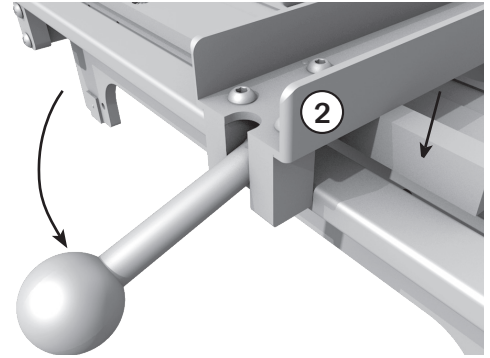
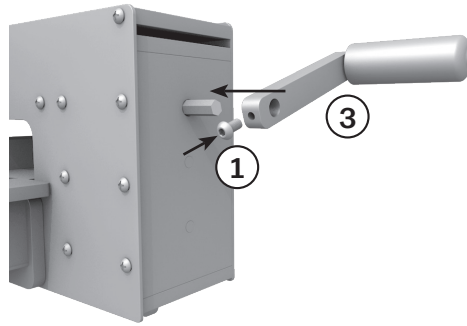
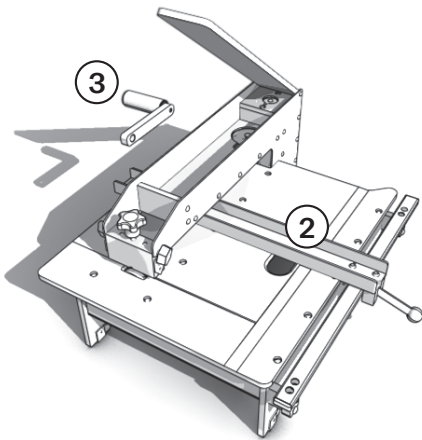
Toutes les garanties implicites, notamment de qualité marchande ou d'adaptation à un emploi particulier, sont limitées à une année à compter de la date d'achat par l'acheteur au détail initial et, dans la mesure permise par la loi, toutes les garanties sont exclues et rejetées après l'expiration de cette période.

Certains états ou provinces interdisent les limites de durée des garanties implicites ou l'exclusion ou la limitation des dommages accessoires ou indirects, par conséquent les limites ou exclusions ci-dessous peuvent ne pas s'appliquer à vous. La présente garantie vous confère des droits juridiques particuliers et vous pouvez également avoir d'autres droits, susceptible de changer d'une juridiction à l'autre.

Exclusions de la présente garantie :

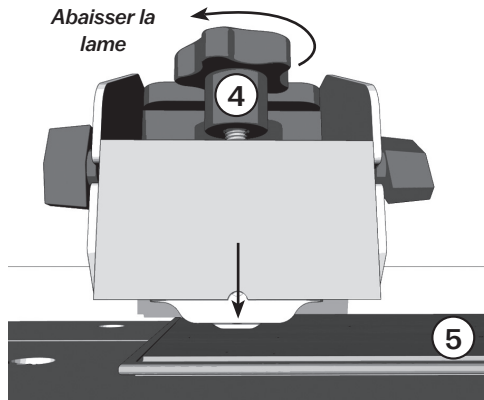
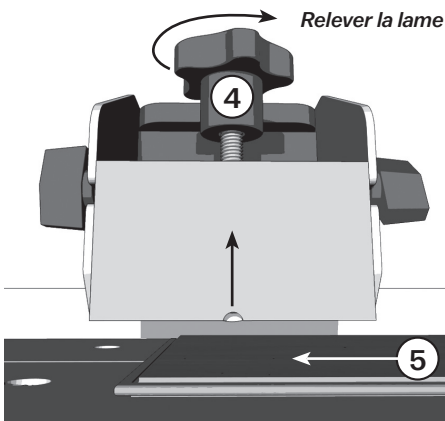
1. Tous les dommages indirects, y compris l'enlèvement et la livraison de la machine, les communications, les frais de déplacement et la location de toute machine durant les réparations ne sont pas couverts aux termes de la présente garantie, ni aucun manque à gagner ou autre perte liée à un défaut de fonctionnement du produit en raison d'une défectuosité couverte par la garantie.
2. La présente garantie ne s'applique pas si le produit devient inopérant suite à une utilisation détournée, usure normale, négligence, entretien incorrect, accident ou dommages liés au transport ; s'il n'a pas été utilisé et entretenu conformément aux instructions figurant dans le manuel d'utilisation ; ou s'il a été altéré ou modifié sans l'autorisation du service après-vente du fabricant.
3. Ne pas renvoyer de pièces ou produits à l'usine sans autorisation écrite préalable du fabricant.

ASSEMBLAGE



POUR MONTER LA MANIVELLE (3) (emballée à l'intérieur du boîtier de rangement supérieur), l'engager fermement sur l'arbre d'entraînement et serrer la vis (1).

POSER LE GUIDE (2) en plaçant la partie en « T » entre le rail et le plateau en plastique. Appuyer sur le levier de blocage pour le verrouiller en place.

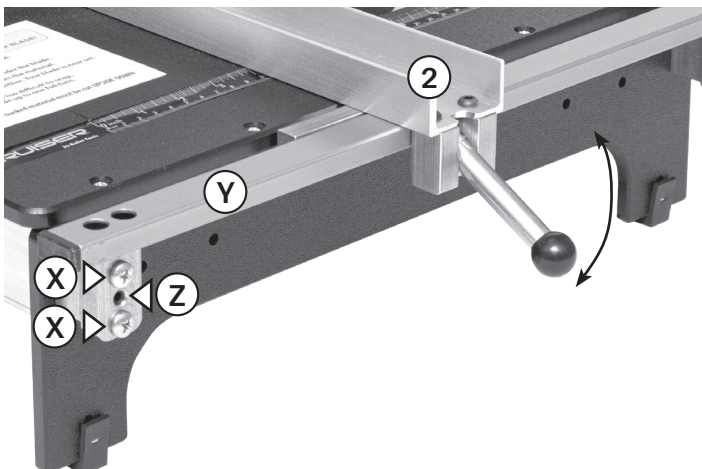


AVERTISSEMENT
Une entaille trop profonde peut casser la lame!

RÉGLER LA PROFONDEUR DE LAME

Tourner le bouton (4) pour amener la lame en position haute. Glisser une chute de matériau (5) sous la lame. Tourner le bouton (4) pour abaisser la lame jusqu'à toucher le matériau. Abaisser la lame d'un demi-tour supplémentaire. La lame est à présent réglée.

REMARQUE : Les matériaux à endos en mousse ou en liège doivent être coupés À L'ENVERS



RÉGLER LA POSITION DU GUIDE

Relever le levier de blocage pour le déverrouiller. Glisser le guide (2) jusqu'à la position souhaitée. Appuyer fermement sur le levier de blocage pour le verrouiller.

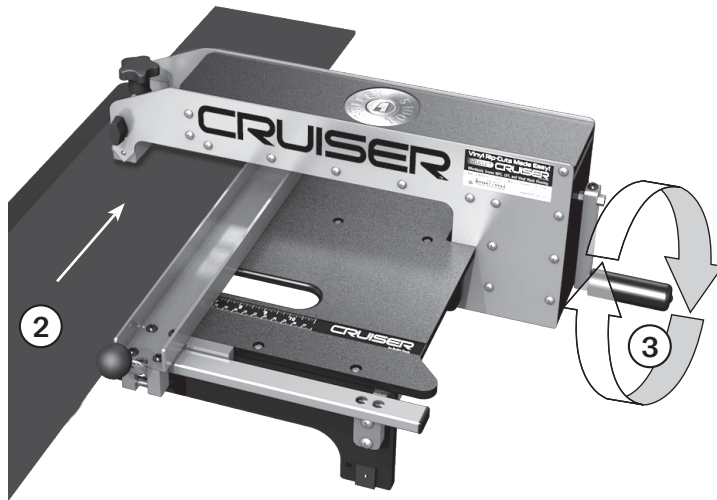
AJUSTER L'ÉQUERRAGE DU GUIDE

1. Desserrer les vis Phillips (X) d'UN CÔTÉ de la glissière du guide (Y).
2. Serrer la vis de réglage (Z) d'un demi-tour.
3. Resserrer les vis Phillips (X).
4. Répéter comme il se doit jusqu'à ce que le guide (Y) soit d'équerre par rapport au porte-lame.

FONCTIONNEMENT

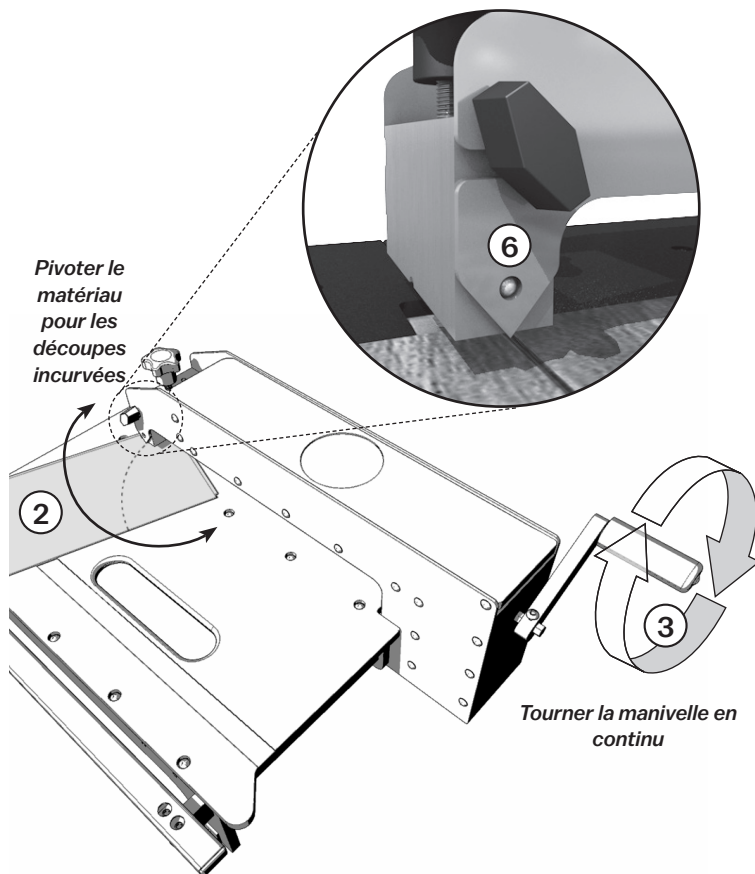
COUPES DROITES

1. Relever le levier de blocage et amener le guide à la largeur souhaitée.
2. Abaisser le levier de blocage pour verrouiller le guide dans cette position.
3. Placer la planche en LVP ou WPC contre le guide (2), puis la pousser vers l'avant sous la lame de coupe.
4. Tenir le matériau contre la lame sans forcer et tourner la manivelle (4).
5. Continuer de tourner la manivelle jusqu'à ce que le matériau soit entaillé sur toute la longueur.
6. Plier le matériau pour le casser le long de l'entaille.



COUPES INCURVÉES

1. Régler la profondeur de lame.
2. Relever le levier de blocage du guide et enlever le guide.
3. Tracer un trait représentant la découpe souhaitée sur le matériau.
4. Aligner le trait sur l'indicateur fléché (6) du Cruiser et pousser le matériau fermement sous la lame.
5. Tourner la manivelle et laisser le matériau être entraîné sous la lame.
6. Faites pivoter le matériau comme il se doit tout en tournant la manivelle de façon à ce que la lame suive le tracé.
7. Continuer de tourner la manivelle jusqu'à ce que le matériau soit complètement entaillé.
8. Plier le matériau pour le casser le long de l'entaille.

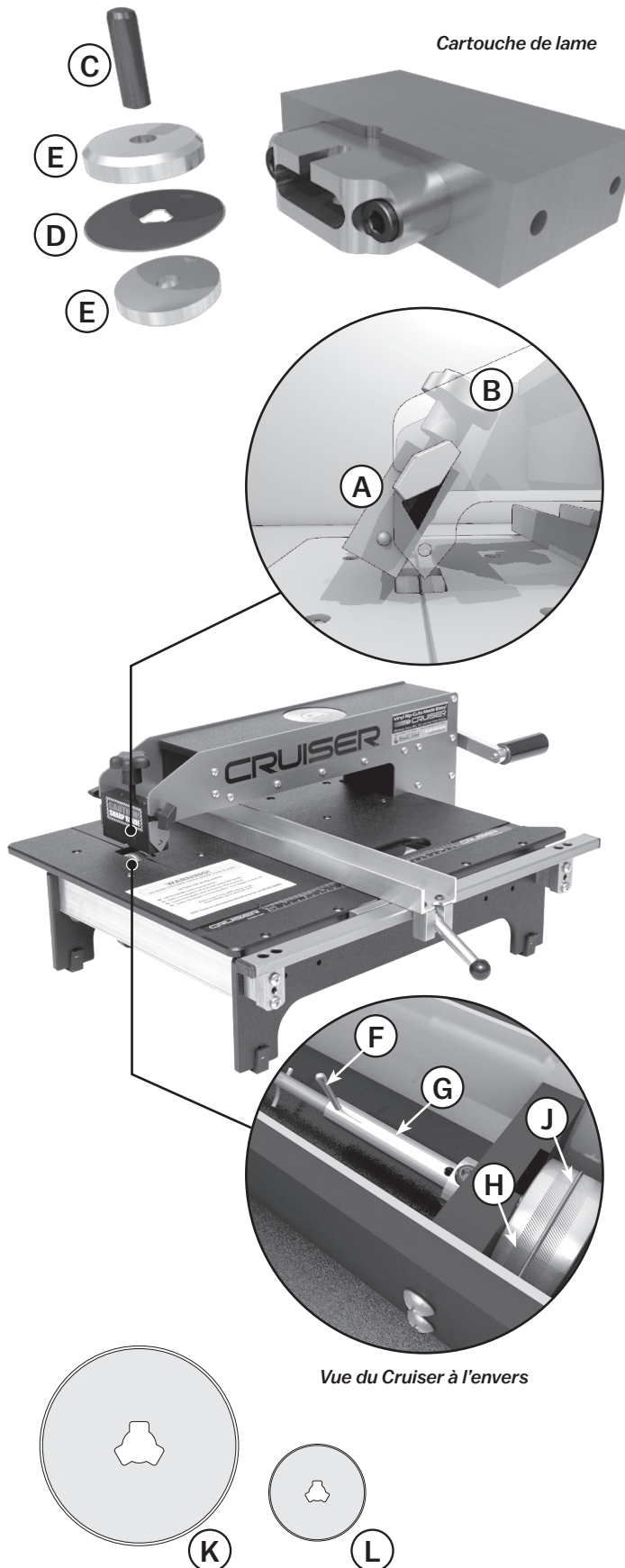


ATTENTION

Faire pivoter le matériau alors que la manivelle ne tourne pas ou tenter de suivre une courbe de moins de 6 po (152 mm) de diamètre ou un coin arrondi de rayon inférieur à 3 po (75 mm) peut fissurer les lames!



CHANGER LES LAMES



ATTENTION
LAMES TRÈS COUPANTES
MANIPULER AVEC PRÉCAUTION

CHANGER LA LAME SUPÉRIEURE

1. Tirer le porte-lame (A) vers le côté pour le débloquer puis appuyer vers le bas pour le dégager du bâti du Cruiser.
2. Avancer complètement la cartouche de lame en tournant le bouton de réglage de lame (B) dans le sens des aiguilles d'une montre jusqu'au bout. Ne pas forcer sur le bouton.
3. À l'aide d'un stylo ou d'un petit tournevis, pousser l'axe (C) hors de la cartouche de lame.
4. Extraire la lame (D) et les rondelles d'espacement (E) de la cartouche.
5. Mettre la lame usagée au rebut et en placer une neuve sur l'axe (C) entre les deux rondelles d'espacement.
6. Appliquer une couche de graisse sur les petits épaulements sur les côtés des rondelles d'espacement (E) et sur l'axe (C).
7. Enfiler la lame et les rondelles d'espacement dans la cartouche de lame et centrer l'axe.
8. Remettre la cartouche en place et enclencher le porte-lame (A) sur le bâti.

CHANGER LA LAME INFÉRIEURE

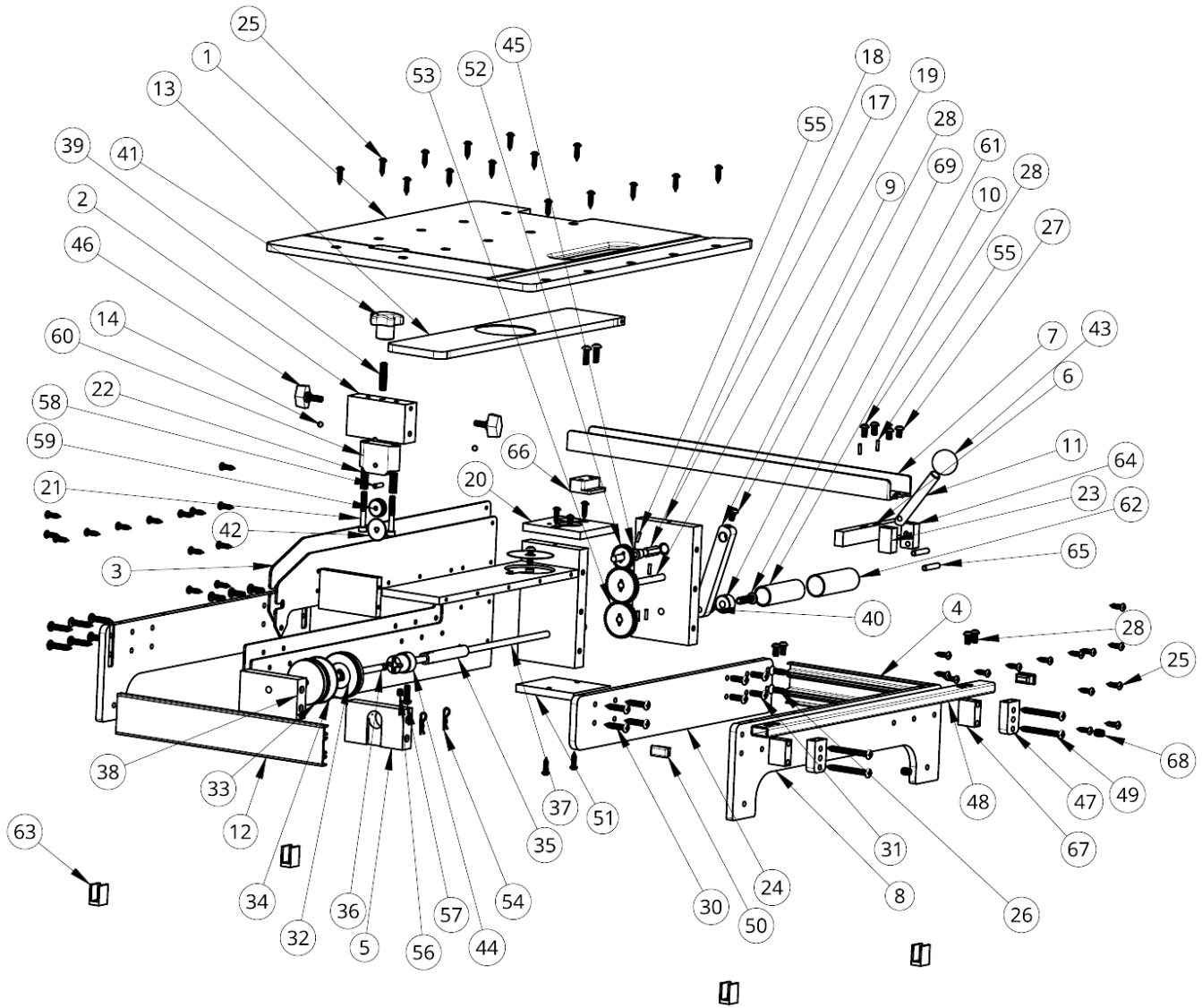
1. Poser le Cruiser à l'envers. Retirer la goupille fendue (F) de l'accouplement de l'arbre d'entraînement (G).
2. Faire coulisser l'accouplement d'arbre (G) pour détacher l'axe connecté des galets d'entraînement (H) et de la lame (J).
3. Déposer les galets d'entraînement (H) et la lame (J) et les séparer pour retirer la lame usagée.
4. Insérer la lame neuve et suivre les trois premières étapes dans l'ordre inverse pour la remonter.

LAME DE RECHANGE DU CRUISER

Lame supérieure (L) : 2095B

Lame inférieure (K) : 2012B

NOMENCLATURE DES PIÈCES



LISTE DES PIÈCES DE RECHANGE

REF#	EDI	RÉF.	DESCRIPTION
34	29802	2012B	LAME DE RECHANGE 60 MM
42	29803	2095B	LAME DE RECHANGE 28 MM

LISTE DES PIÈCES

REP.	EDI	RÉF. PIÈCE	DESCRIPTION	QTÉ
1	R7335	CON-TBL-3017	MACHINE - PLATEAU 12 PO (CRUISER)	1
2	WU955	COT-RCV-3035	MACHINE - PORTE LAME 3½ PO (CRUISER)	1
3	WU953	COT-PLT-0495	BRUT - PLAQUE LATÉRALE (CRUISER)	2
4	WC1127	CON-RAL-3010	MACHINE - RAIL COURT (BULLET CRUISER)	1
5	R7061	CON-BLK-3045	MACHINE - CORPS DE PALIER ¼ PO X 3½ PO, À ENCOCHE (CRUISER)	1
6	R7348	CON-TEE-3001	MACHINE - TÉ DU GUIDE (BULLET CRUISER)	1
7	R7179	CON-FNC-3001	MACHINE - CORPS DU GUIDE (BULLET CRUISER)	1
8	R7314	CON-TAL-3117	MACHINE - PIÈTEMENT ARRIÈRE (CRUISER)	2
9	R7307	CON-BAR-3048	MACHINE - BARRE DE MANIVELLE (CRUISER)	1
10	R7192	CON-HAN-3010	MACHINE - POIGNÉE DIA. 1 PO X 3 PO (CRUISER)	1
11	R7242	CON-PIN-5211	LEVIER DE BLOCAGE À CAME, COUTEAU À VINYLE BULLET	1
12	WC1128	CON-RAL-3014	MACHINE - RAIL LONG (BULLET CRUISER)	1
13	R7166	CON-CVR-3012	MACHINE - COUVERCLE DE BOÎTIER DE RANGEMENT (CRUISER)	1
14	WX2521	GEN-BAL-0025	ROULEMENT À BILLES ¼ PO	2
15	R7165	CON-CVR-3008	MACHINE - FOND DE BOÎTIER DE RANGEMENT (CRUISER)	1
16	R7164	CON-CVR-3003	MACHINE - CÔTÉ DE BOÎTIER DE RANGEMENT (CRUISER)	1
17	R7062	CON-BLK-3055	MACHINE - CORPS DE PALIER ARRIÈRE ¼ PO X 3½ PO X 6 PO (CRUISER)	1
18	WU959	COT-SFT-3002	MACHINE - ARBRE DE MANIVELLE ¼ PO X ⅝ HEXA (CRUISER)	1
19	WU958	COT-SFT-3001	MACHINE - ARBRE DE PIGNON FOU DIA. 0,313 PO (CRUISER)	1
20	R7167	CON-CVR-3103	MACHINE - CHAPEAU DE RÉDUCTEUR SUP. (CRUISER)	1
21	WR1506	FAS-BLT-9010	VIS M6 X 45 MM SHCS	2
22	WR1637	GEN-SPR-5236	RESSORT DE COMPRESSION D.E. 0,360 X L 1,03	2
23	R7058	CON-BLK-3002	MACHINE - CALE D'EXTRÉMITÉ DE GUIDE GAUCHE (BULLET CRUISER) MIROIR DE 3003	1
24	R7315	CON-TAL-3118	MACHINE - FACE ARRIÈRE MÉDIANE (CRUISER)	1
25	WR1564	FAS-SCW-1010	VIS PHPSMS N° 10 X ⅜	48
26	WR1567	FAS-SCW-1411	VIS FHPSMS N° 14 x 1	2
27	WR1615	FAS-SCW-9849	VIS BHSC M6 x 10, BLOX	2
28	WR1736	FAS-SCW-AF09	VIS BHSCS M6 x 12	7
29	R7063	CON-BLK-3075	MACHINE - CORPS DE RÉDUCTEUR ¼ PO X 3½ PO X 6 PO (CRUISER)	1
30	WR1568	FAS-SCW-1412	VIS PHPSMS N° 14X1.25 MCMMASTER 90190A316	10
31	WR1566	FAS-SCW-1407	VIS PHPSMS N° 14 X ⅜ TYPE B	13
32	R7274	CON-RLR-3060	MACHINE - DEMI-GALET D'ENTRAÎNEMENT GAUCHE POUR LAME 60 MM (BULLET CRUISER)	1
33	R7275	CON-RLR-3061	MACHINE - DEMI-GALET D'ENTRAÎNEMENT DROIT POUR LAME 60 MM (BULLET CRUISER)	1
34	WX2525	GEN-BDE-3060	LAME OLFA 60 MM	2
35	R7286	CON-SLV-3001	MACHINE - GLISSIÈRE (CRUISER)	1

LISTE DES PIÈCES (SUITE)

REF#	EDI	Réf.	Description	QTÉ
36	WU960	COT-SFT-3003	MACHINE - ARBRE DE GALETS D'ENTRAÎNEMENT (CRUISER)	1
37	WU961	COT-SFT-3004	MACHINE - ARBRE D'ENTRAÎNEMENT LONG (CRUISER)	1
38	R7060	CON-BLK-3035	MACHINE - CORPS DE PALIER 2,05 PO X 3 1/2 PO, ROND (CRUISER)	1
39	WR1560	FAS-SCW-0835	VIS SANS TÊTE M8-1 1/4 X 35	1
40	WR1745	FAS-WSH-0889	RONDELLE-FREIN FENDUE M8, NOIR DE PRÉFÉRENCE	1
41	WL812	GEN-KNB-5161	BOUTON MULTILOBE, PP, 5/16-18 X 1 1/4 PO (SSSII)(59625K38)	1
42	WX2526	GEN-BDE-5228	LAME OLFA 28 MM	2
43	WL791	GEN-CAP-1505	BOUTON BOULE, NOIR À ALÉSAGE DE 1/2 PO	1
44	R7230	CON-JOY-3001	MACHINE - ACCOUPLEMENT LOVEJOY (CRUISER)	1
45	WL866	GEN-BNG-3000	BAGUE D.I. 5/16 X D.E. 5/16 X PROF. 1/2, NYLON	1
46	WL811	GEN-KNB-2510	BOUTON EN TÉ, 1/4-20 X TIGE 1,0	2
47	R7289	CON-SPC-3115	MACHINE - CALE D'ESPACEMENT DE GUIDE (CRUISER)	2
48	WU934	CON-FNC-3150	MACHINE - GLISSIÈRE DE GUIDE (CRUISER)	1
49	WR1570	FAS-SCW-1425	VIS PHPSMS N° 14 X 2 1/2	4
50	WL792	GEN-CAP-3015	BOUCHON RECTANGULAIRE 1/2 X 1.0, NOIR, SEMBLABLE À MCMaster 9474K51	2
51	R7168	CON-CVR-3104	MACHINE - CHAPEAU DE RÉDUCTEUR INF. (CRUISER)	1
52	R7189	CON-GER-2427	MACHINE - PIGNON SDP_A_1M_2-Y24027	1
53	R7190	CON-GER-2442	MACHINE - PIGNON A_1M_2-Y24042	2
54	WR1029	FAS-PIN-3132	GOUPILLE FENDUE 1/8 X 1 1/2	2
55	WR1543	FAS-PIN-3018	AXE 1/8 X 1/2	6
56	WR1739	FAS-SCW-EZ88	VIS SANS TÊTE, M6 X 8 BOUT CUVETTE	1
57	WR1735	FAS-SCW-AF05	VIS BHSCS M6 X 20	1
58	WR1540	FAS-PIN-0518	AXE 5 MM X 18 MM	1
59	R7292	CON-SPC-5201		2
60	R7162	CON-CRT-5207	CARTOUCHE DE LAME 1,1 PO	1
61	WR1588	FAS-SCW-5830	VIS M8-1 1/4 X 30 BHSCS ZINGUÉE	1
62	WL803	GEN-HAN-0568	POIGNÉE CAOUTCHOUC RONDE D.I. 1 PO X 4 PO DE LONG	1
63	WK241	GEN-EDG-2440	PROFILÉ EN U CAOUTCHOUC SBR 3/8 X 1 - MCMaster 8510K25, COUPÉ À 0,75 PO	4
64	R7059	CON-BLK-3003	MACHINE - CALE D'EXTRÉMITÉ DE GUIDE DROITE (BULLET CRUISER)	1
65	WR1541	FAS-PIN-0881	AXE 1/4 PO X 1 1/4 PO	2
66	R7181	CON-FNC-3155	PIED DE GUIDE CRUISER	1
67	R7288	CON-SPC-2175	RONDELLE D'ESPACEMENT DE LAME 28 MM	2
68	WR1612	FAS-SCW-9041	VIS SANS TÊTE M8 X 12, BOUT CUVETTE (100/BTE), VIS D'AXE (MET SS8.12)	2
69	R7551	MAC-BNG-5875	PALIER LISSE DE POIGNÉE D.E. 0.875 (CRUISER)	1

BULLET

B Y M A R S H A L L T O W N®

104 S. 8th Ave., Marshalltown, IA
Téléphone 800-888-0127 / 641-753-0127
Télécopie 800-477-6341 / 641-753-6341
www.MARSHALLTOWN.com
WS2641